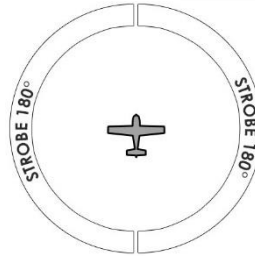


GliderBurst NG DayLite

P/N: AVE-WLSOEA-20D Mod (2)

Strobe LED light

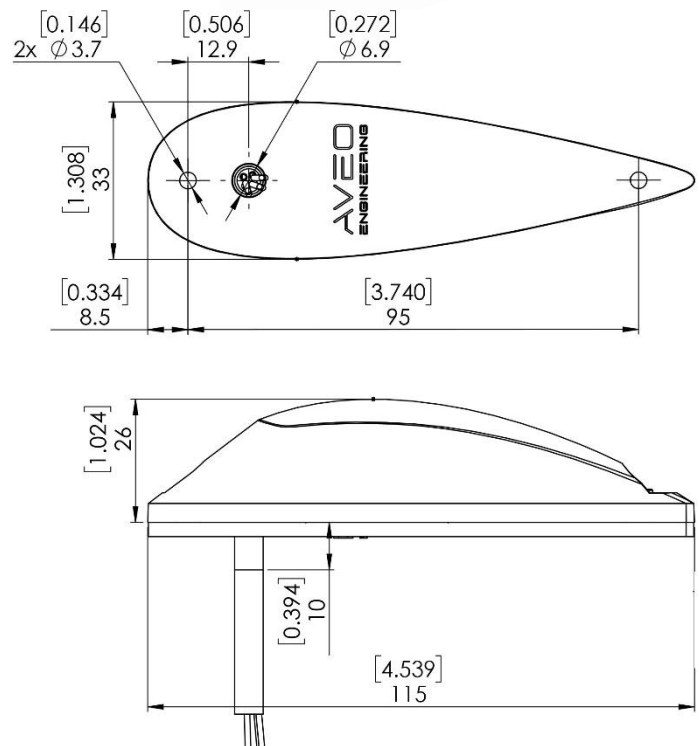
At only 26 millimeters in height (1.024 inch) the new GliderBurst™ DayLite is a value light that does not sacrifice anything in performance or standards as other economy-priced lights offered by the competition. Our exclusive and highly advanced optics and chrome reflector system, our unmatched power and LED management circuitry and our famous lowest-drag profile in the industry are all combined into a product that gives you unmatched POWER and FEATURES. Lower, narrower and shorter PLUS much lighter than industry lights in this category!



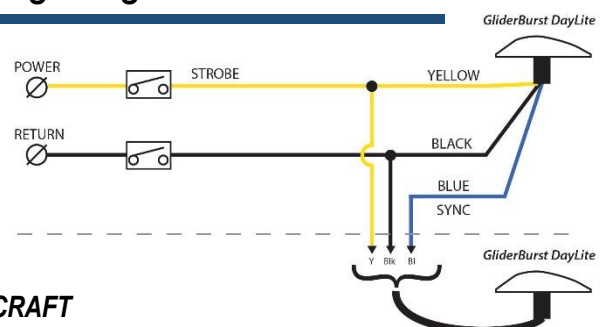
Specification

Dimensions (mm):	115 mm x 33 mm x 26 mm
Dimensions (inches):	4.539" x 1.308" x 1.024"
Weight (max):	64 g / 2.25 oz
Operating Voltage Range:	9 – 36 V DC
Input Current (peak):	2.06 A @14V 0.91 A @28V
Input Power (peak):	28.8 W @14V 25.5 W @28V
Repetition Rate of Strobe:	50 cycles per minute
Ambient Temperature:	from -40°C to +85°C from -40°F to +185°F
Overheat Protection:	Yes
Recommended size of mounting screw:	M3
Reverse Polarity Protection:	Yes
Transient Voltage:	60V / 2s
Under-Voltage Protection:	Yes
Over-Voltage Protection:	Yes
Waterproof, Dust-proof, Vibration-proof:	Yes

Drawing



Wiring Diagram



**NOT APPROVED FOR INSTALLATION ON CERTIFIED AIRCRAFT
THIS IS NOT A TSO CERTIFIED LIGHT**