

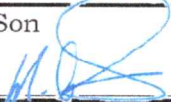
**INSTALLATION INSTRUCTIONS**

**DATE:** March 16, 2023

**PRODUCT:** Aerostar Aircraft Corporation models: PA-60-601 (Aerostar 601), PA-60-601P (Aerostar 601P), PA-60-602P, (Aerostar 602P), PA-60-700P (Aerostar 700P)

**SUBJECT:** Engine Turbo Cross Shaft Bearings Repair

**PREPARED BY:** N. Choo-Son

**RELEASED BY:** 

**AVIO dg**

TRANSPORT CANADA  
DESIGN APPROVAL ORGANIZATION  
NO.: 17-C-01

**APPROVED**

By:  API

Appr'l Date: 01 May 2023

Appr'l No.: C-RA23-041/D

Issue No.: 1

**REVISION HISTORY TABLE**

Revision	Revision Date	By
NC	March 16, 2023	N. Choo-Son

## INTRODUCTION

The purpose of these installation instructions is to provide all necessary information required to install a replacement bearing assembly for the engine turbo cross shaft system. The replacement bearing repairs worn existing OEM bearing assemblies and provides preventative maintenance with a longer lasting bearing.

## APPLICABILITY

These installation instructions are applicable to the following aircraft models:

Aerostar Aircraft Corporation models: PA-60-601 (Aerostar 601), PA-60-601P (Aerostar 601P), PA-60-602P, (Aerostar 602P), PA-60-700P (Aerostar 700P).

## MATERIALS

a) Parts Required:

PART NUMBER	DESCRIPTION
M-01-1004	TURBO CROSS SHAFT KIT

Note: One (1) kit per engine

b) Tools Required:

- Standard aviation tools and consumables.

## REFERENCES

1. AC43.13-2B – Acceptable Methods, Techniques, and Practices – Aircraft Alterations.
2. Aerostar Aircraft Corporation Aerostar Maintenance Manual – Part Number 761 732.

## PREREQUISITE REQUIREMENTS

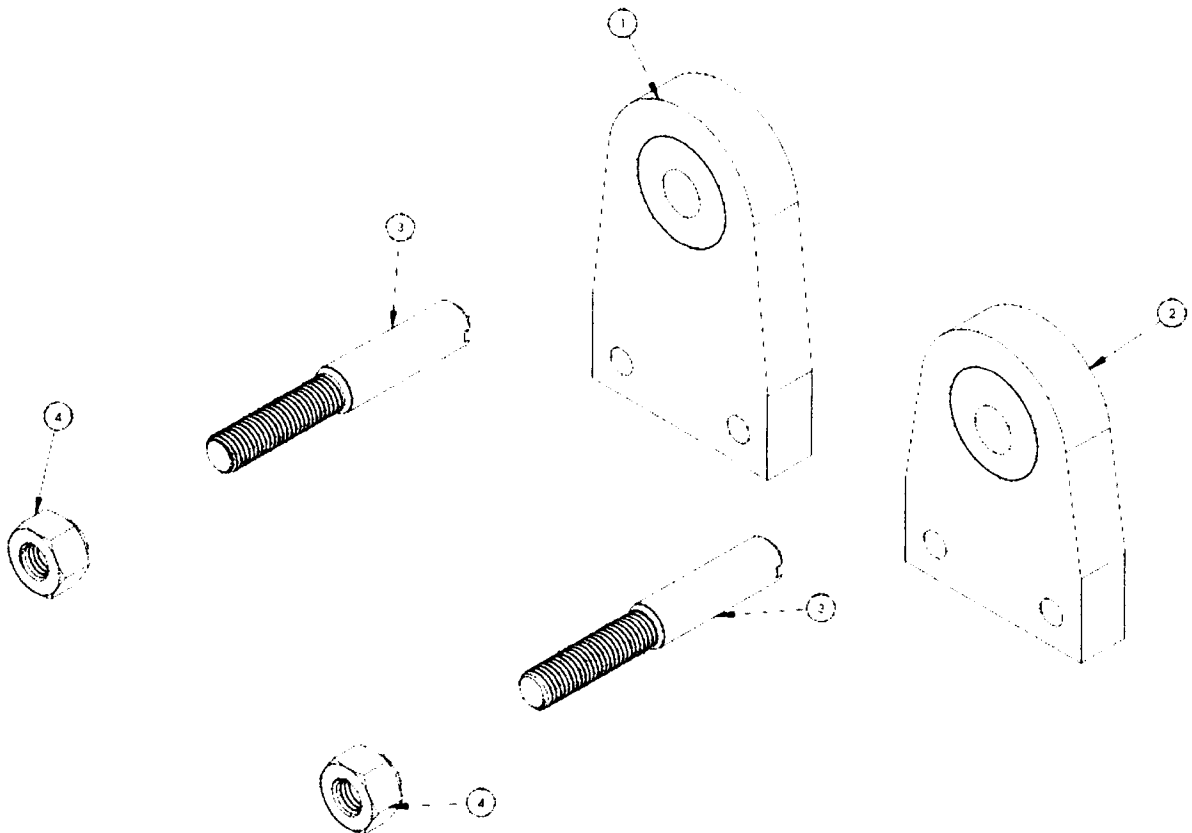
Incorporation of OEM cross shaft P/N 300035-527 with separate end shafts is required prior to installation of this engine turbo cross shaft bearings repair.

## INSTRUCTIONS

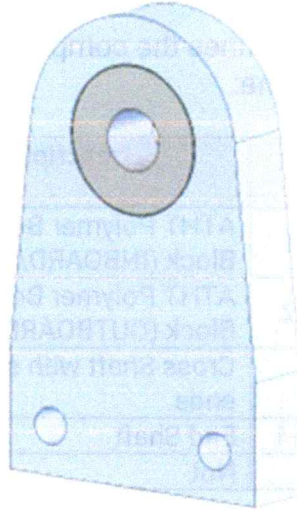
### A. PRE-INSTALLATION INFORMATION

- The following table defines the components of each kit and the OEM component they replace per engine:

Item No.	MBA P/N	Description	QTY	OEM P/N
1	MB-01-10002-1	ATHT Polymer Bearing Block (INBOARD/LONG)	1	300037-001
2	MB-01-10002-2	ATHT Polymer Bearing Block (OUTBOARD/SHORT)	1	300037-501
N/A	N/A	Cross Shaft with separate ends	1	300035-527
3	MBA-01-10012-1	End Shaft	2	N/A
4	MS21045-4	Nut	2	MS21045-4



2. The aluminium bearing blocks are supplied with the polymer bearings installed.



	<b>INSTALLATION INSTRUCTIONS</b> ENGINE TURBO CROSS SHAFT BEARINGS REPAIR	Marsh Brothers Aviation Inc. <b>II-M21003-1</b>
---	---	---

## B. INSTALLATION



### NOTE

PREPARE THE AIRCRAFT FOR MAINTENANCE AND PERFORM ALL WORK IN ACCORDANCE WITH THE APPLICABLE AIRCRAFT MAINTENANCE MANUAL PROCEDURES AND STANDARD PRACTICES.

The following sequence is to be followed as defined.

1. At each of the bearing block installation positions on the aircraft check to confirm that the tall (long) block is in the inboard position and that the short block is on the outboard position in accordance with the AMM requirements.
2. Remove original bearing blocks P/N 300037-001 (inboard) and P/N 300037-501 (outboard) and replace with P/N MB-01-10002-1 (inboard) and P/N MB-01-10002-2 (outboard) in accordance with the AMM requirements.
3. Remove original end shafts from P/N 300035-527 cross shaft and replace with end shaft P/N MBA-01-10012-1 in accordance with AMM requirements.

## C. REASSEMBLY PROCEDURE

1. Reassemble in accordance with the AMM requirements.

## D. CLOSEOUT AND TESTING

1. Verify the proper function and reinstallation of the engine turbo cross shaft system in accordance with the Aerostar Maintenance Manual.

**--END TASK--**

 <p><b>MB</b> Marsh Brothers Aviation</p>	<p style="text-align: center;"><b>INSTALLATION INSTRUCTIONS</b> ENGINE TURBO CROSS SHAFT BEARINGS REPAIR</p>	<p style="text-align: right;">Marsh Brothers Aviation Inc. <b>II-M21003-1</b></p>
--	--	---

## Contact

For additional information regarding the installation, servicing or other general inquiries contact Marsh Brothers Aviation:

Marsh Brothers Aviation Inc.,  
3225 Mainway,  
Burlington, ON L7M 1A6

Tel: 1-800-263-6242

Email: [info@marshbrothersaviation.com](mailto:info@marshbrothersaviation.com)

Website: [www.marshbrothersaviation.com](http://www.marshbrothersaviation.com)