

# Specification Control Drawing / Kontrolný vykres

## ASSEMBLED LED PCB WITH 12x XB-D WHITE LEDs / LED PCB S 12x XB-D BIELYMI LED

Board: PB-II\_v03 (partB)  
Color shade: 2B0  
Minimum luminous flux (lm) @ 350mA: 122  
Maximum drive current: up to 1A  
Thermal resistance, junction to solder point:  
- typical 6.5 °C/W  
Maximum junction temperature: 150 °C  
Wide viewing angle: 115°  
Unlimited floor life at ≤ 30° C/85 % RH  
Electrically neutral thermal path  
RoHS- and REACH-compliant  
LED UL-recognized component (E349212)

## ASSEMBLED POWER PCB / VYKONOVA DOSKA

Board: PB-II\_v03 (partA) - Red  
Voltage range: 9-18V DC  
2x XB-D WHITE LED Specification:  
Color shade: 2B0  
Minimum luminous flux (lm) @ 350mA: 122  
Maximum drive current: up to 1A  
Thermal resistance, junction to solder point:  
- typical 6.5 °C/W  
Maximum junction temperature: 150 °C  
Wide viewing angle: 115°  
Unlimited floor life at ≤ 30° C/85 % RH  
Electrically neutral thermal path  
RoHS- and REACH-compliant  
LED UL-recognized component (E349212)  
4x XB-D RED LED Specification:  
Color shade: R20  
Minimum luminous flux (lm) @ 350mA: 80.6  
Maximum drive current: up to 1A  
Thermal resistance, junction to solder point:  
- typical 5 °C/W  
Maximum junction temperature: 150 °C  
Wide viewing angle: 140°  
Unlimited floor life at ≤ 30° C/85 % RH  
Electrically neutral thermal path  
RoHS- and REACH-compliant  
LED UL-recognized component (E349212)  
Main components:  
LED Controllers - TPS4021 IDGO and LT3756  
Microcontroller - MSP430G2452IRSA16R  
Operating temperature range: -55 °C to +85 °C

**WIRES TUBE/ PRIECHODKA (0106705)**  
Material: Brass Ms70

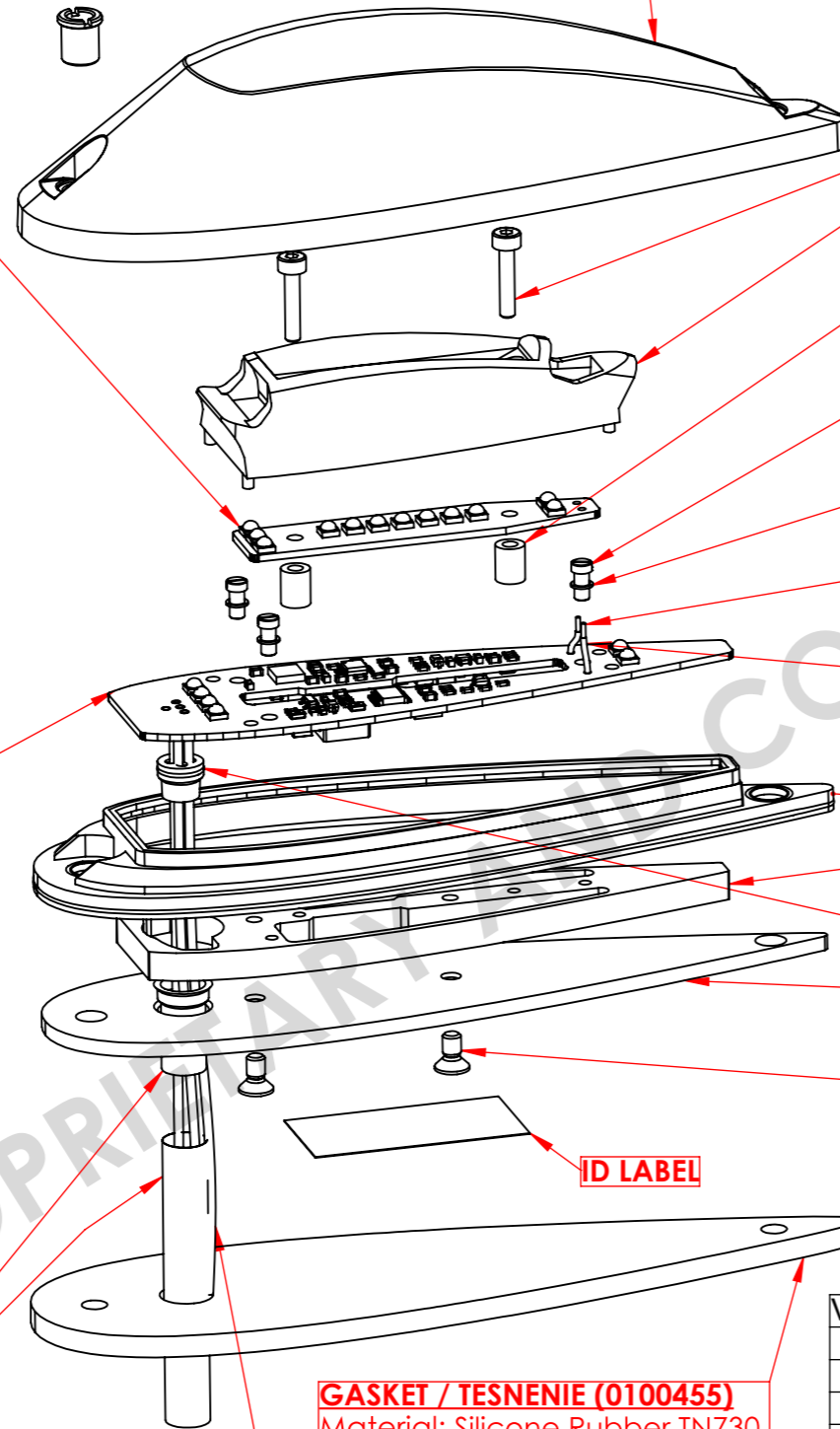
**ADHESIVE HEATSHRINK TUBE**  
D=6.4mm, L=220mm  
Material: Crosslinked Polyolefin

### TEFLON WIRES:

Teflon insulation, 500V  
Wire length from base of unit 254mm min [10 inch]  
VCCP - AWG 20, Positive power supply line for position (RED)  
VCCS - AWG 20, Positive power supply line for strobe (YELLOW)  
GND - AWG 20, Common negative power supply line (BLACK)  
SYNC - AWG 22, Synchronization line (BLUE)

**SCREW INSERT / VLOZKA (0105626)**  
Material: Brass Ms70

**TURTLE COVER / KRYTKA (0105186)**  
Material: PC (optically clear)



**SCREW / SKRUTKA M2x10**  
DIN 912  
Material: Stainless steel

**REFLECTOR (0104074)**  
Material: ABS-PC  
Chrome plated

**DISTANCE SPACER /  
DISTANCNY STLPIK Ø 2.1x5**  
Material: Aluminium

**SCREW / SKRUTKA M2x4**  
DIN 920  
Material: Stainless steel

**WASHER / PODLOZKA (0105184)**  
Material: Nylon

**INTERCONNECTION PIN /  
PREPOJOVACI PIN TCW 22**  
Material: Tinned Copper

**INSULATION TUBE**  
Diameter: 0.8 mm  
Length: 5 mm  
Material: PTFE

**SOLID GASKET / TESNENIE (0106707)**  
Material: Silicone Rubber

**BASE / ZAKLADNA (0105175)**  
Material: EN AW 6060

**INSIDE RUBBER / TESNENIE (0106706)**  
Material: Silicone Rubber

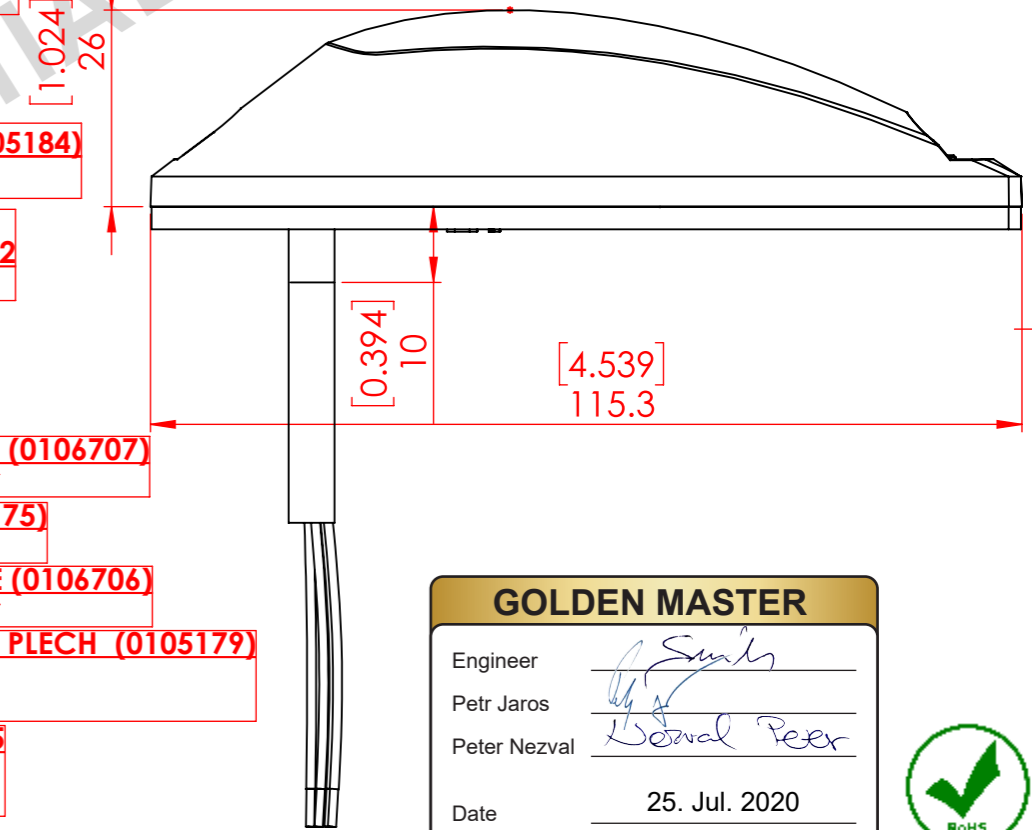
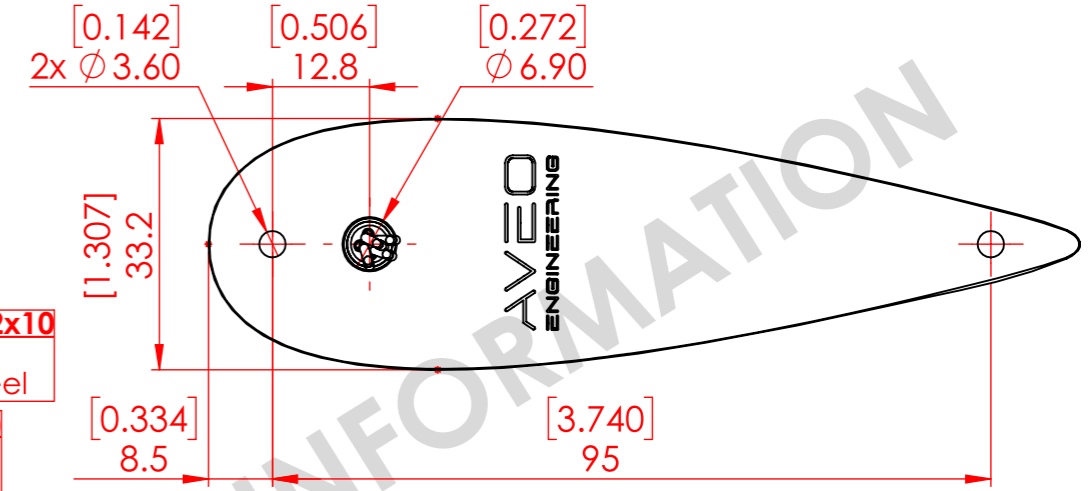
**BOTTOM PLATE / SPODNY PLECH (0105179)**  
Material: EN AW 6060  
Natural anodizing

**SCREW / SKRUTKA M2.5x5**  
DIN 965  
Material: Stainless steel

**GASKET / TESNENIE (0100455)**  
Material: Silicone Rubber TN730

Part Number	Color of Solid Gasket 0106707
AVE-WPSTR-20D Mod(2)	Black
AVE-WPSTR-2WD Mod(2)	White
AVE-WPSTR-2RD Mod(2)	Red

## FOOT PRINT/PODORYS



GOLDEN MASTER	
Engineer	<i>[Signature]</i>
Petr Jaros	<i>[Signature]</i>
Peter Nezval	<i>[Signature]</i>
Date	25. Jul. 2020



NOTE:  
Recommended main attaching screws M3, DIN 7984 with Flat Nylon Washer #4, AVS-90295A359  
Torque requirement for main attaching screws is 0.5Nm

Vers-No	Change	Date	Signature
a	rename	03.08.2018	Suvak
b	Added washer	03.12.2018	Rychnavska
c	Updated Assy	24.Jul.2019	Rychnavska

Semi-Product / Polotov.		T.O.		Weight/Hmot. [kg]		Scale / Mierka	1:1
Material def./vychodzi		Pieces/Kusy		Model Gen.		Assy No. /Cislo zostavy	
Material final/konecny		Techn.Prepared		Model		Position / Pozicia	
Modeled by/Modeloval		Techn.Checked		Leght tol.,Angle tol.	ISO2768mK	STN ISO 128	Sheet / Sheets 1 of 1
Drawn by / Kresilil	Suvak	App. / Schvalil		Vseob. tol. pre zv. konstr.	ISO13920		
Checked by / Kontroloval		Date	16. 1. 2018	<b>POWERBURST NG DAYLITE RED</b> P/N: see Table 1		<b>9901185</b>	
DESCRIPTION / NÁZOV			TYPE / TYP				