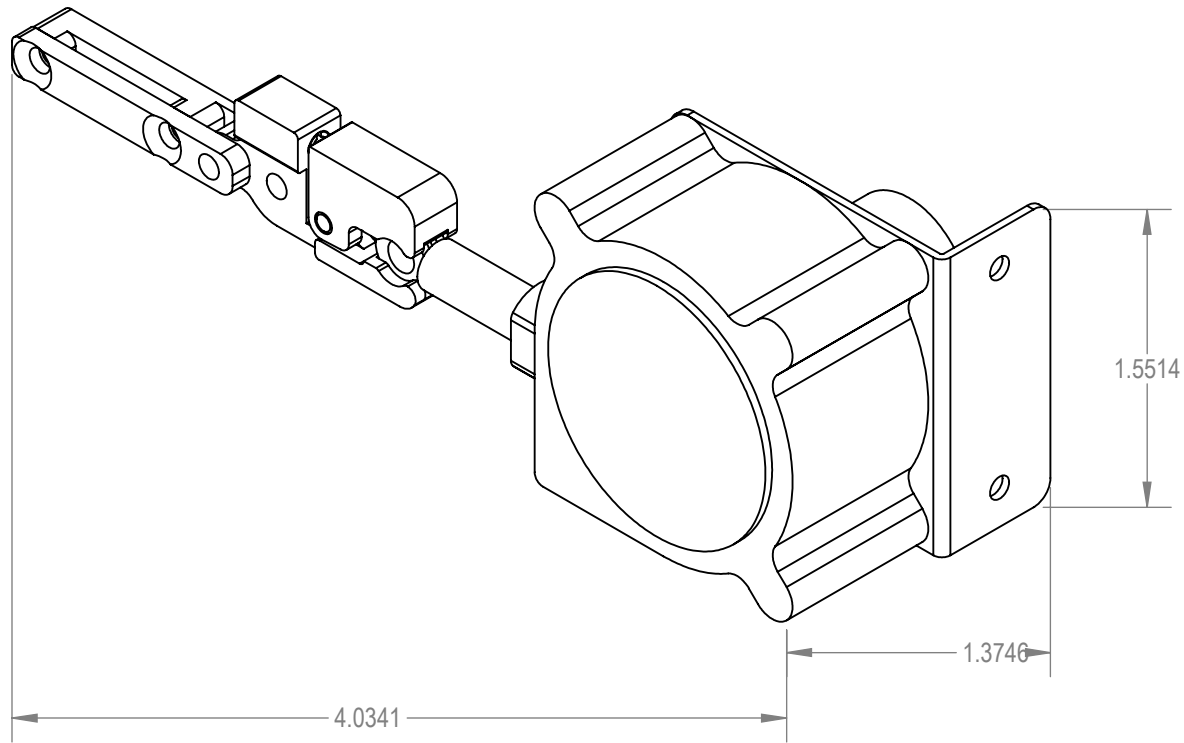


REV.	DESCRIPTION	DATE	DRAWN
A		6/25/2018	BJS



FILE PATH: P:\Operations\DepotStar\Alpha Systems AOA\Engineering\_2013\_Production\Flap Transmitter\

UNLESS OTHERWISE SPECIFIED: UNITS ARE IN INCHES AND TOLERANCES ON DIMENSIONS ARE IN INCHES  .X = ±.03 .XX = ±.01 .XXX = ±.005 DEG. = ±1° X/X = ± 1/16	DRAWN:	BJS	PROJECT:	FLAP TRANSMITTER
	DATE:	6/25/2018	TITLE:	Flap Transmitter (Bar Clamp)
	SHEET:	1		
	SCALE:	1:2		
<b>PROPRIETARY AND CONFIDENTIAL</b>	SIZE:	A	PART #	DSTR-AOA-1996-B
THE INFORMATION CONTAINED IN THIS DRAWING IS THE SOLE PROPERTY OF DEPOTSTAR. ANY REPRODUCTION IN PART OR AS A WHOLE WITHOUT THE WRITTEN PERMISSION OF DEPOTSTAR IS PROHIBITED.	QUANTITY:		REV:	A
	MATERIAL:			

5

4

3

2

1