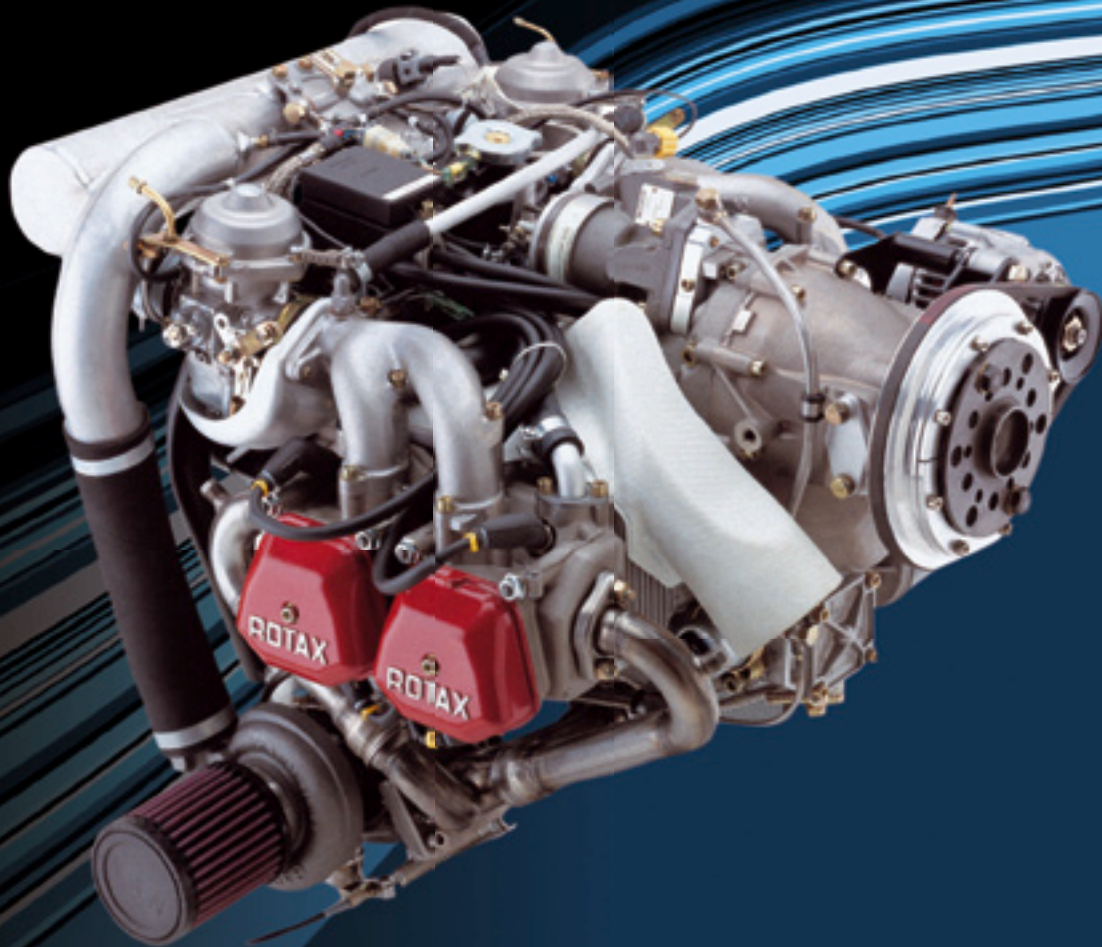




INSTALLATION MANUAL

FOR ROTAX® ENGINE TYPE 914 SERIES

Ref. No.: IM-914



ROTAX® **914 UL 3** WITH OPTIONS

WARNING

Before starting with engine installation, please read the Installation Manual completely as it contains important safety relevant information.

These technical data and the information contained therein are property of BRP-Rotax GmbH&CO. KG and must not be reproduced, neither entirely nor partially, and passed on to third parties without previous consent in writing by BRP-Rotax GmbH&CO. KG. This text must be written on every complete or partial reproduction. The Manual must remain with the engine/aircraft in case of sale.

Copyright 2008 © - all rights reserved

ROTAX[®] is a trademark of BRP-Rotax GmbH&Co.KG. In the following document the short form BRP-Rotax instead of BRP-Rotax GmbH&Co. KG will be used.

Other names of products used in this book, are used to recognize the familiar and can be trademarks of corresponding companies or owners.

Approval of translation has been done to best knowledge and judgment in case the original text in the German language is authoritative.

1) Table of contents

1) Table of contents	3
2) Index	7
3) Preface	9
3.1) Remarks	9
3.2) Engine serial number	9
3.3) ROTAX Authorized Distributors for Aircraft Engines	9
4) Safety	11
4.1) Repeating symbols	11
4.2) Safety information	11
4.3) Instruction	13
4.4) Technical documentation	14
5) List of the effective pages	17
6) Table of amendments	19
7) Description of design	21
7.1) Designation of type	21
7.2) Standard engine design	21
7.3) Engine components, engine views, definition of main axes	24
8) Technical data	27
8.1) Operating limits	27
8.2) Installation dimensions (all dimensions in mm)	28
8.3) Weights	28
8.4) Centre of gravity of engine and standard equipment	29
8.5) Moments of inertia	29
9) Preparations for engine installation	31
9.1) Transport	31
9.2) State of delivery	31
9.3) Engine preservation	31
9.4) Protective covering	32
10) Engine suspension and position	33
10.1) Definition of attachment points	34
10.2) Permissible fitting positions	35
10.3) General directives for engine suspension	38
11) Exhaust system	39
11.1) Operating limits	40
11.2) General notes concerning the exhaust system	41

BRP-Rotax

INSTALLATION MANUAL

12) Cooling system	43
12.1) Description of the system	43
12.2) Operating Limits	44
12.3) Coolant types	45
12.4) Check cooling system - Efficiency of the cooling system	46
12.4.1) Measurement of cylinder head temperature and coolant exit temperature	46
12.5) Determination of operating limits, Coolant and necessary modification on radiator installation	48
12.6) Requirements on the cooling system	50
12.7) Size and position of connections	51
12.8) Requirements, feasible location and fitting position concerning radiator/ expansion tank/overflow bottle	54
12.9) General directives for the cooling system	57
12.10) Coolant capacity	59
12.11) Cooling air ducting	59
12.11.1) General directives for ducting of the cooling air	60
12.12) Data for optional components of cooling system	61
13) Lubrication system	63
13.1) Description of the system	63
13.2) Limits of operation	64
13.3) Checking of the lubrication system	65
13.3.1) Measuring of the vacuum	65
13.3.2) Measuring of the pressure in the crankcase	66
13.4) Requirements on the oil- and venting lines	67
13.5) Connecting dimensions and location of connections	68
13.5.1) Oil circuit (engine)	68
13.5.2) Oil circuit (turbo charger)	71
13.5.3) Oil tank	72
13.6) Feasible position and location of the oil tank	74
13.7) Feasible position and location of the oil cooler	75
13.8) General notes on oil cooler	75
13.9) Filling capacity	75
13.10) Venting (purging or priming) of lubrication system	76
13.10.1) Venting (purging or priming) of turbocharger lubrication system	77
13.11) Inspection for correct venting (priming) of hydraulic valve tappets	78
13.12) Replacement of components	79
13.13) Data for optional components of oil system	80
14) Fuel system	83
14.1) Description of system	83
14.2) Operating limits	85
14.3) Requirements of the fuel system	86
14.4) Connecting dimensions, location of joints and directives for installation	87
14.4.1) Electric fuel pump	87
14.4.2) Check valve	89
14.4.3) Fuel pressure control	89
14.5) Notes on checking of fuel pressure	90

d04273

15) Carburetor	91
15.1) Requirements on the carburetor	91
15.1.1) Drainage pipelines to airbox and trip tray	92
15.2) Connections for Bowden-cable actuation and limit load	93
15.3) Requirements on cable actuation	94
15.4) Requirements on the throttle lever	95
15.5) Location and determination of the throttle position for max. continuous power	96
16) Air intake system	97
16.1) Operating limits	97
16.2) Requirements on the air intake system	98
16.2.1) Requirements on the intake air ducting	98
16.2.2) Requirements on the intercooler:	99
16.2.3) Airfilter	100
16.2.4) Airbox	100
16.3) Additional notes concerning air intake system	102
17) Pressure sensors	103
17.1) Static pressure sensor	104
18) Servo motor / Servo cable	105
18.1) Servo motor	105
18.2) Servo cable	106
19) Electric system	107
19.1) Requirements on circuit wiring	108
19.1.1) Electromagnetic compatibility (EMC)	108
19.2) Wiring diagram	109
19.3) Description of the Turbo Control Unit (TCU)	111
19.4) Technical data and connection of the electric components	111
19.4.1) Integrated generator	111
19.4.2) Rectifier-regulator	112
19.4.3) Electronic modules	114
19.4.4) Ignition switches (on-off switch)	114
19.4.5) Electric starter	116
19.4.6) Starter relay	117
19.4.7) Electric fuel pumps	118
19.4.8) Turbo Control Unit (TCU)	119
19.4.9) Isolating switch for servo motor	121
19.4.10) Boost lamp	122
19.4.11) Caution lamp	122
19.4.12) External alternator (optional extra)	123
19.4.13) Connection of the electric rev-counter (tachometer)	125
19.4.14) Battery	126
19.4.15) Relay	126
19.5) Internal consumer of electric power	126
20) Propeller drive	127
20.1) Technical data	127

BRP-Rotax

INSTALLATION MANUAL

21) Vacuum pump	129
21.1) Technical data	129
22) Hydraulic governor for constant speed propeller	131
22.1) Technical data	131
23) Connections for instrumentation	133
23.1) Sensor for cylinder head temperature	133
23.2) Sensor for oil temperature	134
23.3) Oil pressure sensor	135
23.4) Mechanical rev-counter (tach drive)	136
23.5) Monitoring of the intake manifold pressure	137
23.6) Air temperature in the airbox (optional)	138
24) Preparations for trial run of engine	139

2) Index

A

Acceleration 27
 Air intake system 97
 Air temperature in the airbox 138
 Airbox 100
 Airfilter 100
 Attachment points 34
 Auxiliary equipment 22

B

Bank angle 27

C

Carburetor 91
 Caution light 122
 Coarse filter 86
 Connection of electric rev-counter 125
 Connections (cooling system) 51
 Connections (oil circuit) 68
 Connections carburetor 93
 Connections for instrumentation 133
 Coolant capacity 54
 Cooling system 43
 Critical flight level 27
 Current pages 17
 Cylinder head temperature sensor 133

D

Definition of main axes 24
 Denomination of cylinders 24
 Description of design 21
 Designation of type 21
 Documentation 14
 Drainage lines (airbox) 101
 Drainageleitungen (Tropfasse) 92
 Drip tray 91

E

Electric fuel pump 87, 118
 Electric starter 116
 Electromagnetic compatibility 108
 Electronic modules 114
 Elektric system 107
 Engine components 24
 Engine serial number 9
 Engine speed 27
 Engine suspension 33, 38
 Engine views 24
 Exhaust gas temperature 40
 Exhaust system 39
 Expansion tank 51
 External alternator 123

F

Fine filter 86
 Fitting positions 35
 Fuel filter 86
 Fuel pressure control 89
 Fuel pressure-check 90
 Fuel system 83

H

Hydraulic governor for constant speed propeller 131

I

Ignition switches 114
 Instruction 13
 Instrumentation connection 133
 Intake air ducting 98
 Integrated generator 111
 Intercooler 99
 Internal consumer of electric power 126
 Isolating switch for servo motor 121

L

Lubrication system 63

M

Main axes 24
 Manifold pressure 27
 Manifold pressure connector 137
 Mechanical rev-counter 136

O

Oil cooler 75
 Oil lines 67
 Oil pressure 64
 Oil pressure sensor 135
 Oil tank 72, 74
 Oil temperature 64
 On-off switch 114
 Operating limits 27
 Overflow bottle 55

P

Position of engine 33
 Preface 9
 Preservation (engine) 31
 Pressure sensors 103
 Propeller drive 127
 Protective covering 32

R

Rectifier-regulator 112
Remarks 9
Rev-counter drive 136

S

Safety 11
Safety information 11
Sensor for oil temperature 134
Standard engine design 21
Starter relay 117
State of delivery 31
Symbols 11

T

Take-off speed 27
Technical data 27
Technical documentation 14
Temperature in airbox 97
Throttle lever 95
Throttle position 96
Transport 31
Trial run 139
Turbo charger 98
Turbo Control Unit (TCU) 111, 119

V

Vacuum pump 129
Venting line of oil tank 67

W

Warning light 122
Water inlet bend 53
Wiring diagram (electric) 109

3) Preface

In this Manual the installation of all ROTAX 914 Series engines is described.

◆ NOTE: ROTAX 914 Series includes 914 F and 914 UL.

Before starting with the engine installation, read this Installation Manual carefully. The Manual will provide you with basic information on correct engine installation, a requirement for safe engine operation.

If any passages of the Manual are not completely understood or in case of questions, please, contact an authorized Distribution- or Service Center for ROTAX engines.

BRP-Rotax GmbH & Co. KG (hereinafter "BRP-Rotax") wish you much pleasure and satisfaction flying your aircraft powered by this ROTAX engine.

3.1) Remarks

This Installation Manual is to acquaint the owner/user of this aircraft engine with basic installation instructions and safety information.

For more detailed information on operation, maintenance, safety- or flight, consult the documentation provided by the aircraft manufacturer and dealer.

For further information on maintenance and spare part service contact the nearest ROTAX distributor (see section 3.3).

3.2) Engine serial number

On all enquiries or spare parts orders, always indicate the engine serial number, as the manufacturer makes modifications to the engine for further development.

The engine serial number is on the top of the crankcase, magneto side.

3.3) ROTAX Authorized Distributors for Aircraft Engines

See latest Operators Manual or in the Internet at the official Homepage www.rotax-aircraft-engines.com.

BRP-Rotax
INSTALLATION MANUAL

NOTES

d04274

4) Safety

Although the mere reading of these instructions will not eliminate a hazard, the understanding and application of the information herein will promote the proper installation and use of the engine.

The information and components-/system descriptions contained in this Installation Manual are correct at the time of publication. BRP-Rotax, however, maintains a policy of continuous improvement of its products without imposing upon itself any obligation to install them on its products previously manufactured.

BRP-Rotax reserves the right at any time to discontinue or change specifications, designs, features, models or equipment without incurring obligation.

The illustrations in this Installation Manual show the typical construction. They may not represent in full detail or the exact shape of the parts which have the same or similar function.

Specifications are given in the SI metric system with the USA equivalent in parenthesis. Where precise accuracy is not required, some conversions are rounded off for easier use.

4.1) Repeating symbols

This Manual uses the following symbols to emphasize particular information. These indications are important and must be respected.

- ▲ **WARNING:** Identifies an instruction which, if not followed, may cause serious injury including the possibility of death.
- **CAUTION:** Denotes an instruction which, if not followed, may severely damage the engine or other component.
- ◆ **NOTE:** Indicates supplementary information which may be needed to fully complete or understand an instruction.

4.2) Safety information

- ▲ **WARNING:** Only certified technicians (authorized by the local airworthiness authorities) and trained on this product are qualified to work on these engines.
- ▲ **WARNING:** Never fly the aircraft equipped with this engine at locations, airspeeds, altitudes, of other circumstances from which a successful no-power landing cannot be made, after sudden engine stoppage.

Unless correctly equipped to provide enough electrical power for night VFR (according latest requirement as ASTM), the ROTAX® 914 UL is restricted to DAY VFR only.

BRP-Rotax

INSTALLATION MANUAL

- This engine is not suitable for acrobatics (inverted flight, etc.).
- This engine shall not be used on rotorcrafts with an in-flight driven rotor (e.g. helicopters).
- It should be clearly understood that the choice, selection and use of this particular engine on any aircraft is at the sole discretion and responsibility of the aircraft manufacturer, assembler and owner/user.
- Due to the varying designs, equipment and types of aircraft, BRP-Rotax makes no warranty or representation on the suitability of its engine's use on any particular aircraft. Further, BRP-Rotax makes no warranty or representation of this engine's suitability with any other part, component or system which may be selected by the aircraft manufacturer, assembler or user for aircraft application.
- Unless in a run up area, never run the engine with the propeller turning while on the ground. Do not operate engine if bystanders are close.
- To prevent unauthorized use, never leave the aircraft unattended with the engine running.
- To eliminate possible injury or damage, ensure that any loose equipment or tools are properly secured before starting the engine.
- When in storage protect the engine and fuel system from contamination and exposure.
- Never operate the engine and gearbox without sufficient quantities of lubricating oil.
- Never exceed maximum rated r.p.m. and allow the engine to cool at idle for several minutes before turning off the engine.
- The engine should only be installed and placed into operation by persons familiar with the use of the engine and informed with regard to possible hazards.
- Never run the engine without a propeller as this will inevitably cause engine damage and present a hazard of explosion.
- Propeller and its attachment with a moment of inertia in excess of the specified value must not be used and releases engine manufacturer from any liability.
- Improper engine installation and use of unsuitable piping for fuel,- cooling,- and lubrication system releases engine manufacturer from any liability.
- Unauthorized modifications of engine or aircraft will automatically exclude any liability of the manufacturer for sequential damage.

- In addition to observing the instructions in our Manual, general safety and accident preventative measures, legal regulations and regulations of any aeronautical authority must be observed.
- Where differences exist between this Manual and regulations provided by any authority, the more stringent regulation should be applied.
- This engine can be equipped with an air pump. The safety warning accompanying the air pump must be given to the owner/operator of the aircraft into which the air pump is installed.

4.3) Instruction

Engines require instructions regarding their application, use, operation, maintenance and repair.

- Technical documentation and directions are useful and necessary complementary elements for personal instruction, but can by no means substitute theoretical and practical instructions.
- These instructions should cover explanation of the technical context, advice for operation, maintenance, use and operational safety of the engine.
- All technical directives relevant for safety are especially emphasized. Pass on safety instructions to other users, without fail.
- This engine must only be operated with accessories supplied, recommended and released by BRP-Rotax. Modifications are only allowed after consent by the engine manufacturer.

■ **CAUTION:** Spare parts must meet with the requirements defined by the engine manufacturer. This is only warranted by use of GENUINE ROTAX spare parts and/or accessories (see Illustrated Parts Catalog).

They are available only at the authorized BRP-Rotax Distribution- and Service Centers.

The use of anything other than genuine ROTAX spare parts and/or accessories will render any warranty relating to this engine null and void (see Warranty Conditions).

▲ **WARNING:** Engine and gear box are delivered in "dry" conditions (without operating fluids). Before putting engine in operation it must be filled with oil. Use only oil as specified (consult Operators Manual or alternatively SI-914-019 "Selection of suitable operating fluids", last valid issue)).

▲ **WARNING:** Exclusively use tools and supplementary materials as listed in the Illustrated Parts Catalog.

▲ **WARNING:** This Manual for engine installation is only part of the Technical Documentation and will be supplemented by the respective Operators Manual, Maintenance Manual and Spare Parts List.

Pay attention to references to other documentation, found in various parts of this Manual.

4.4) Technical documentation

The information given in the

- Installation Manual
- Operators Manual
- Maintenance Manual (Line Maintenance)
- Maintenance Manual (Heavy Maintenance)
- Overhaul Manual
- Illustrated Parts Catalog (IPC)
- Alert Service Bulletin
- Service Bulletin
- Service Instruction
- Service Letter
- User Manual

are based on data and experience that are considered applicable for professionals under normal conditions.

The rapid technical progress and variations of installation might render present laws and regulations inapplicable or inadequate.

The illustrations in this Manual are mere sketches and show a typical arrangement. They may not represent the actual part in all its details but depict parts of the same or similar function. Therefore deduction of dimensions or other details from illustrations is not permitted.

Some measurements are given in the drawings, these are manufacturing dimensions and are subject to corresponding tolerances.

BRP-Rotax

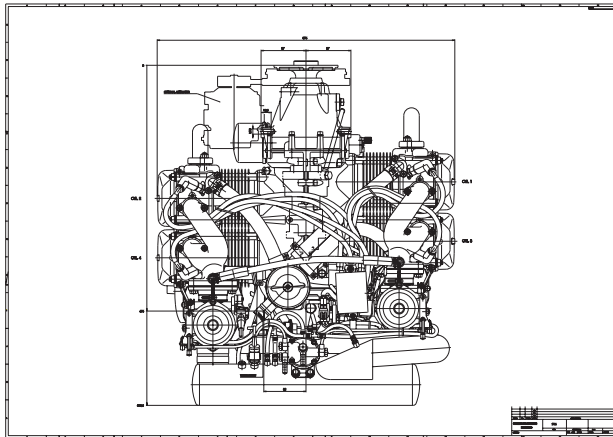
INSTALLATION MANUAL

◆ **NOTE:** The illustrations in this Installation Manual are managed in a graphic data base and are identified by a consecutive, non-corresponding number.

This No. (e.g. 00277) does not have any meaning concerning the content!

All necessary documentation is available from the BRP-Rotax Distribution and Service Center.

Installation drawings and a DMU-model for (virtual) installation analysis are available from the ROTAX Authorized Distributors or their Service Centers.



09199

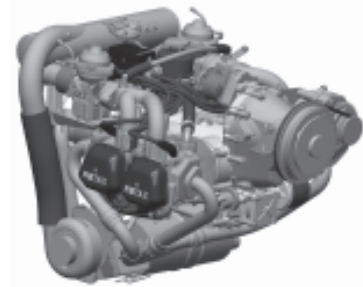


Fig. 1

08404

BRP-Rotax
INSTALLATION MANUAL

NOTES

d04274

5) List of the effective pages

00567

chapter	page	date	chapter	page	date	chapter	page	date
0	1	07 01 2008	12	43	07 01 2008	17	103	07 01 2008
	2	07 01 2008		44	07 01 2008		104	07 01 2008
1	3	07 01 2008	13	45	07 01 2008	18	105	07 01 2008
	4	07 01 2008		46	07 01 2008		106	07 01 2008
	5	07 01 2008		47	07 01 2008	19	107	07 01 2008
	6	07 01 2008		48	07 01 2008		108	07 01 2008
	2	7		07 01 2008	49		07 01 2008	109
8		07 01 2008		50	07 01 2008		110	07 01 2008
3	9	07 01 2008		51	07 01 2008		111	07 01 2008
	10	07 01 2008		52	07 01 2008	112	07 01 2008	
4	11	07 01 2008		53	07 01 2008	113	07 01 2008	
	12	07 01 2008		54	07 01 2008	114	07 01 2008	
	13	07 01 2008		55	07 01 2008	115	07 01 2008	
	14	07 01 2008		56	07 01 2008	116	07 01 2008	
	15	07 01 2008		57	07 01 2008	117	07 01 2008	
	16	07 01 2008		58	07 01 2008	118	07 01 2008	
	5	17		07 01 2008	59	07 01 2008	119	07 01 2008
18		07 01 2008	60	07 01 2008	120	07 01 2008		
6	19	07 01 2008	61	07 01 2008	121	07 01 2008		
	20	07 01 2008	62	07 01 2008	122	07 01 2008		
7	21	07 01 2008	14	63	07 01 2008	20	123	07 01 2008
	22	07 01 2008		64	07 01 2008		124	07 01 2008
	23	07 01 2008		65	07 01 2008	125	07 01 2008	
	24	07 01 2008		66	07 01 2008	126	07 01 2008	
	25	07 01 2008		67	07 01 2008	21	127	07 01 2008
	26	07 01 2008		68	07 01 2008		128	07 01 2008
	8	27		07 01 2008	69		07 01 2008	129
28		07 01 2008		70	07 01 2008		130	07 01 2008
29		07 01 2008		71	07 01 2008		22	131
30		07 01 2008		72	07 01 2008	132		07 01 2008
9	31	07 01 2008		73	07 01 2008	23	133	07 01 2008
	32	07 01 2008		74	07 01 2008		134	07 01 2008
10	33	07 01 2008		75	07 01 2008		135	07 01 2008
	34	07 01 2008		76	07 01 2008		136	07 01 2008
	35	07 01 2008		77	07 01 2008		137	07 01 2008
	36	07 01 2008	78	07 01 2008	138	07 01 2008		
	37	07 01 2008	79	07 01 2008	24	139	07 01 2008	
	38	07 01 2008	80	07 01 2008		140	07 01 2008	
11	39	07 01 2008	81	07 01 2008	15			
	40	07 01 2008	82	07 01 2008				
	41	07 01 2008	16	83				07 01 2008
	42	07 01 2008		84				07 01 2008
12				85				07 01 2008
				86				07 01 2008
				87				07 01 2008
			88	07 01 2008				
			89	07 01 2008				
			90	07 01 2008				
			91	07 01 2008				
			92	07 01 2008				
			93	07 01 2008				
			94	07 01 2008				
		95	07 01 2008					
		96	07 01 2008					
		97	07 01 2008					
		98	07 01 2008					
		99	07 01 2008					
		100	07 01 2008					
		101	07 01 2008					
		102	07 01 2008					

d04274

BRP-Rotax
INSTALLATION MANUAL

NOTES

d04274

BRP-Rotax
INSTALLATION MANUAL

NOTES

d04274

7) Description of design

7.1) Designation of type

Basic type

e.g. ROTAX 914 version 2:

version 2: with prop flange for fix pitch propeller

version 3: with prop flange with drive of hydraulic governor for constant speed propeller

version 4: with prop flange for fix pitch propeller, but prepared for retro-fit of hydraulic governor for constant speed prop (no longer available)

Optional extras to the above stated basic type:

	external alternator	vacuum pump	drive for rev counter/ hour meter	governor
for version 2	yes	yes	yes	no
for version 3	yes	no	yes	yes
for version 4	yes	yes	yes	no

08116

◆ **NOTE:** Conversion of the version 2/4 to version 3 and vice versa may be accomplished by BRP-Rotax Authorized Distributors or their Service Center.

7.2) Standard engine design

- 4 stroke, 4 cyl. horizontally opposed, spark ignition engine with turbo charger, single central camshaft hydraulic tappets - push rods - OHV
- liquid cooled cylinder heads
- ram air cooled cylinders
- dry sump, forced lubrication
- dual ignition of breakerless, capacitor discharge design
- 2 constant depression carburetors and airbox
- 2 electric fuel pumps (12V DC)
- prop drive via integrated gear box with torsional shock absorber and overload clutch (optional on configuration UL2/UL4)
- stainless steel exhaust system

- engine suspension frame
- expansion tank (coolant)
- electric starter (standard or starter with extended power output)
- integrated AC generator with external rectifier regulator
- oil tank
- external start relay
- drive of hydraulic governor (on configuration 3 only)

Auxiliary equipment (optional)

- **CAUTION:** Any equipment not included as part of the standard engine version and thus not a fix component of the engine is not in the volume of supply.
- Components especially developed and tested for this engine are readily available at BRP-Rotax.

Following auxiliary equipment has been tested on ROTAX engine type 914 for safety and durability to the standards of aviation.

The furnishing of proof in accordance to the latest FAR or EASA has to be conducted by the aircraft manufacturer.

- external alternator
- vacuum pump (feasible on configuration 2 and configuration 4 only)
- drive for tachometer/hour-meter
- oil cooler with connections
- coolant radiator
- coolant overflow bottle

BRP-Rotax

INSTALLATION MANUAL

Following equipment has not been tested for safety and durability to the standards of aviation.

▲ **WARNING:** The user assumes all risks possibly arising by utilizing auxiliary equipment.

The furnishing of proof in accordance to the latest FAR or EASA has to be conducted by the aircraft manufacturer.

- intake filter
- Flydat
- mechanical tachometer
- electric tachometer
- shock mount
- oil hose

BRP-Rotax

INSTALLATION MANUAL

7.3) Engine components, engine views, definition of main axes

See Fig. 2/3/4/5/6.

PTO power take off side

MS magneto side

A points of attachment for engine transport

⊕ centre of gravity

P zero reference point for all dimensions

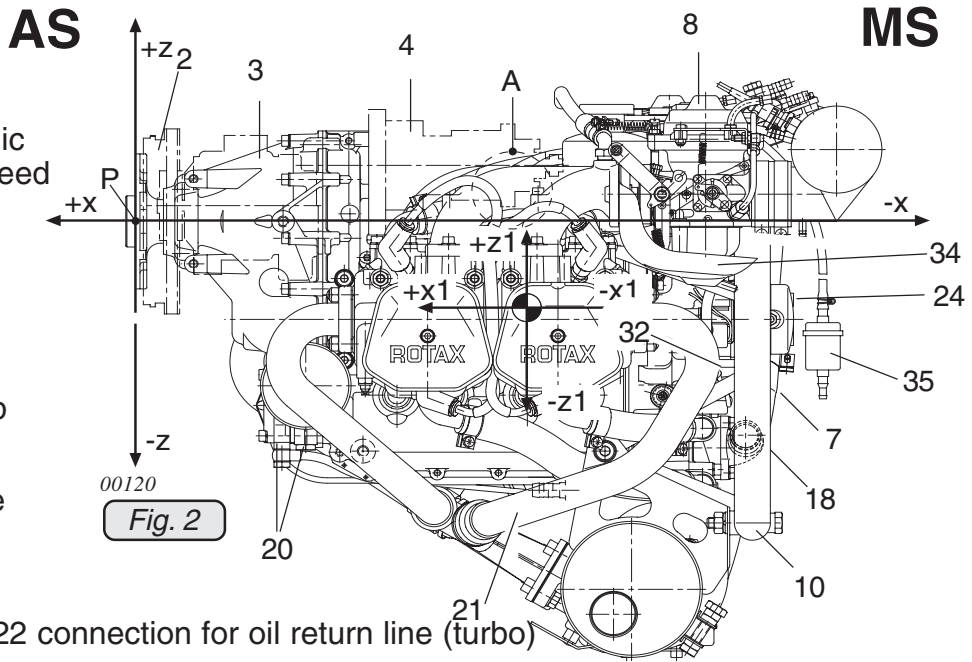
◆ **NOTE:** Allow ± 1 mm on all stated dimensions as manufacturing tolerance

x,y,z axes for system of coordinates

Cyl.1 Cylinder 1 Cyl.3 Cylinder 3

Cyl.2 Cylinder 2 Cyl.4 Cylinder 4

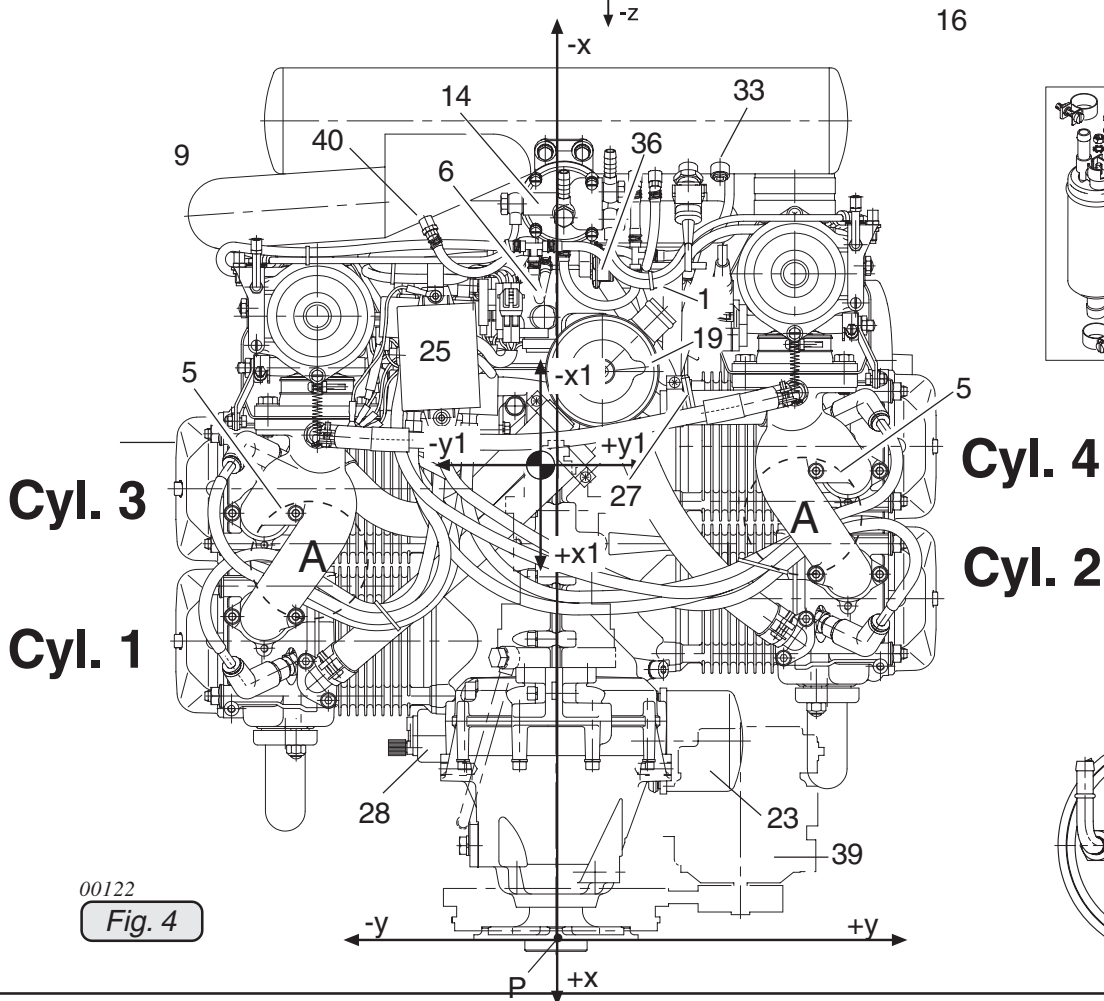
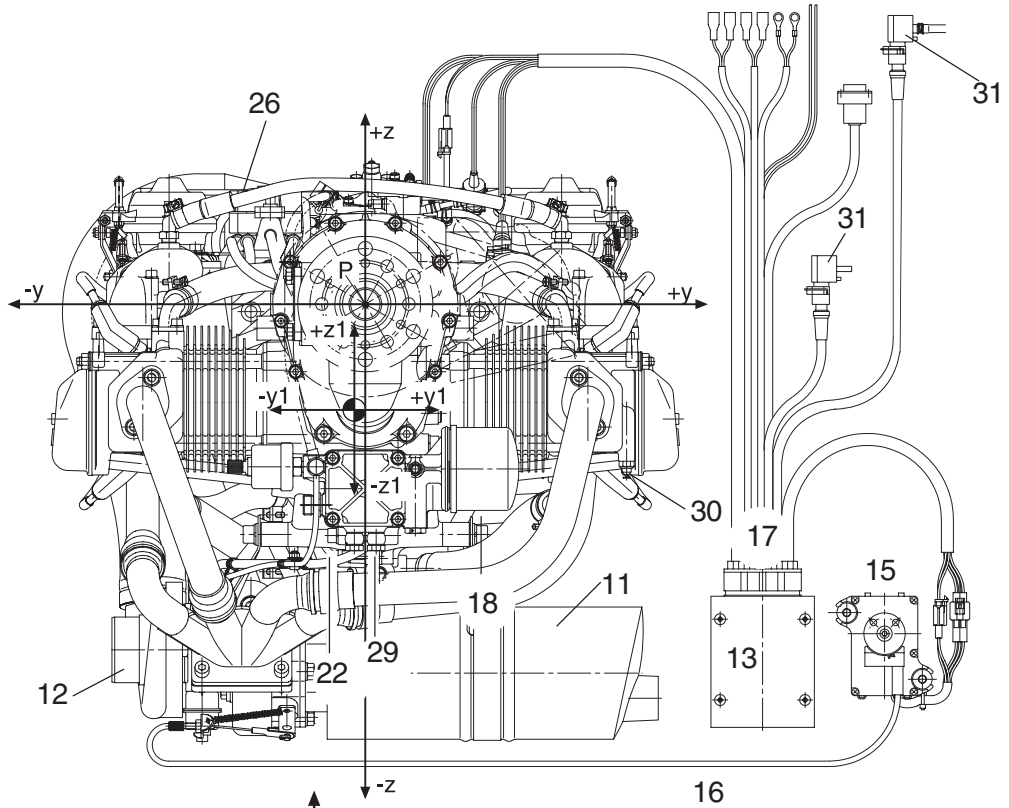
- 1 engine number
- 2 propeller flange
- 3 propeller gear
- 4 vacuum pump or hydraulic governor for constant speed propeller
- 5 intake manifold
- 6 ignition housing
- 7 ignition cover
- 8 constant depression carb
- 9 airbox
- 10 engine suspension frame
- 11 stainless steel exhaust system



- 12 turbocharger
- 13 turbo control unit (TCU)
- 14 fuel pressure control
- 15 servo motor
- 16 servo cable
- 17 cable assembly
- 18 coolant pump
- 19 expansion tank
- 20 2 separate oil pumps
- 21 connection for oil return line (engine)
- 22 connection for oil return line (turbo)
- 23 oil filter
- 24 electric starter
- 25 electronic modules for ignition
- 26 compensation tube
- 27 connection for manifold pressure
- 28 sensor for oil pressure
- 29 sensor for oil temperature
- 30 sensor for cylinder head temperature
- 31 2x pressure sensor
- 32 connection for mechanical tachometer
- 33 connection for additional temperature sensor (airbox)
- 34 drip tray
- 35 water trap
- 36 three way solenoid valve
- 37 2x electric fuel pump
- 38 oil tank
- 39 external alternator
- 40 enrichment jet

BRP-Rotax
INSTALLATION MANUAL

Fig. 3
08418



00122
Fig. 4

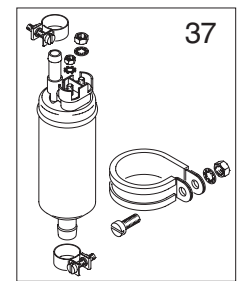


Fig. 5
00123

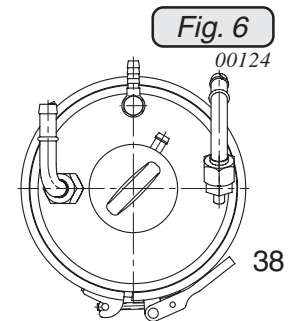


Fig. 6
00124

c04275

BRP-Rotax
INSTALLATION MANUAL

NOTES

d04275

8) Technical data

To maintain clarity, only data relevant for engine installation and operation will be stated in the Manual.

◆ NOTE: Connecting dimensions, filling capacities, drive and reduction ratios, electric output etc. can be found in the respective chapter of engine installation or other relevant engine documentation. (see section 4.4)

8.1) Operating limits

1. **Engine speed** see Operators Manual 914 Series, sec. 10.1.
2. **Manifold pressure:**..... see Operators Manual 914 Series, sec. 10.1.
3. **Acceleration:** see Operators Manual 914 Series, sec. 10.1.
4. **Critical flight level** see Operators Manual 914 Series, sec. 10.1.
5. **Oil pressure:** see Operators Manual 914 Series, sec. 10.1.
6. **Oil temperature:** see Operators Manual 914 Series, sec. 10.1.
7. **Cyl. head temperature:** see Operators Manual 914 Series, sec. 10.1.
8. **Exhaust gas temperature:** see section 11.1
9. **Airbox temperature:** see section 16.1
10. **Range of starting temperature:** see Operators Manual 914 Series, sec. 10.1
11. **Fuel pressure:** see Operators Manual 914 Series, sec. 10.1.
12. **Banking of plane deviation from the effective vertical:**

See Operators Manual 914 Series, sec. 10.1.

The engine design is for a conventional, non-aerobatic, fixed wing tractor or pusher type configuration with the oil return port in the optimum position (see section 13.5).

With this consideration the engine is properly lubricated in all flight profiles.

The resulting bank angle β (depending on acceleration/deceleration) may never exceed the max. bank angle.

◆ NOTE: Pitch or roll angle α is not equal with β , except stabilized condition (without acceleration).

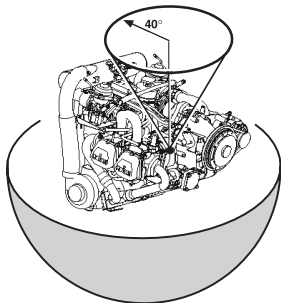


Fig. 6

08405

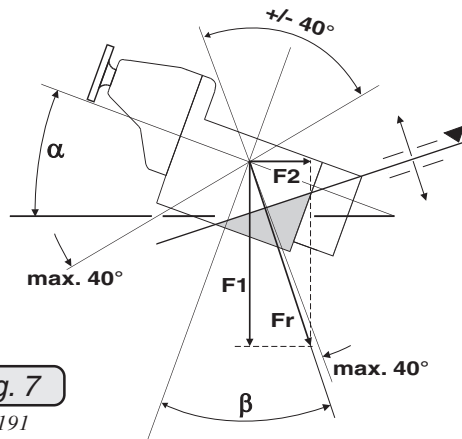


Fig. 7

07191

- α pitch or roll
- β current bank angle
- F1 gravity
- F2 acceleration
- Fr result of F1 and F2

c04275

BRP-Rotax

INSTALLATION MANUAL

8.4) Centre of gravity of engine and standard equipment

See Fig. 2/3/4.

◆ NOTE: Dimensions to point of reference (P).

	engine from serial production 3	external alternator	hydraulic governor	vacuum pump
centre of gravity in x-axis (mm)	-327	-100	-276	-255
centre of gravity in y-axis (mm)	-9	139	0	0
centre of gravity in z-axis (mm)	-102	6	56	56

8.5) Moments of inertia

04859

See Fig. 2/3/4.

	engine configuration 2 / 4	engine configuration 3
moment of inertia around axis x1 - x1 (kg cm ²)	20 470	21 210
moment of inertia around axis y1 - y1 (kg cm ²)	24 560	25 450
moment of inertia around axis z1 - z1 (kg cm ²)	26 520	27 480

04860

BRP-Rotax
INSTALLATION MANUAL

NOTES

d04275

9) Preparations for engine installation

- **CAUTION:** The stated directives are measures to pay CAUTION to at engine installation to prevent any accidents and engine damage.

9.1) Transport

The engine to be lifted by two hooks or straps around the middle of the intake manifolds. See section engine views, numbering of cylinders and definition of main axes.

9.2) State of delivery

It is possible to mount the engine to a palet using steel angles.

- **CAUTION:** The attachment screws are only for transport and must not be used in the aircraft.

9.3) Engine preservation

The engine is preserved at BRP-Rotax thus warranting proper protection against corrosion for at least **12** month after date of delivery from BRP-Rotax.

This warranty is subject to the following conditions:

- the engine has to be stored in the packing as supplied by BRP-Rotax.
- the covers on various openings must not be removed (see section of protective covering)
- engine has to be stored in a suitable place (at min. - 40 °C (- 40 °F) and max. + 80 °C (+ 176 °F)).

If the engine is stored for a period longer than 12 month perform every 3 months the tasks given in the current valid Maintenance Manual, section 11.11.1 "Preservation of a new engine".

9.4) Protective covering

All openings are protected against ingress of contamination and dampness. It is recommended not to remove these plugs until installation of the specific feed line.

◆ **NOTE:** If the engine will be sent to the manufacturer or distributor reuse transport equipment and replug openings.

List of protective covering:

- exhaust socket: 1x cone plug
- air intake socket on turbo: 1x cover
- connection for manifold pressure: 1x cap
- fuel pressure control (in-and outlet): 1x each cap
- oil supply and oil discharge: 1x each cap
- oil return (turbo): 1x cap
- supply and discharge of coolant: 1x each cone plug
- propshaft on configuration 3: 1x disk plug or cap
- airbox: 2x cap

▲ **WARNING:** Protective covering to be utilized for transport and at engine installation only. Before engine operation remove these protections.

10) Engine suspension and position

- CAUTION: At installation of engine be aware of engine weight and assure careful handling.

The engine suspension is determined essentially by the aircraft design. Eight attachment points are provided on the engine (4 on engine and 4 on engine frame).

The engine will be supplied with a well tried and certified suspension frame for attachment on the fire proof bulk head. The exhaust system and the turbo charger are supported on this frame too. The installation into the aircraft is as generally practised by captive rubber mounts which ensure also to balance out vibrations and sound from engine to aircraft frame.

- ▲ WARNING: If the engine suspension frame supplied by BRP-Rotax is not used or if modified, certification to the latest requirements such as FAR or EASA has to be conducted by the aircraft manufacturer.

Furthermore a suitable suspension for turbo charger and exhaust system has to be developed. **Since these components weigh approx. 6 kg (13 lbs), this suspension has to be carefully designed and tested.** Certification to the latest requirements such as FAR or EASA has to be conducted by the aircraft manufacturer.

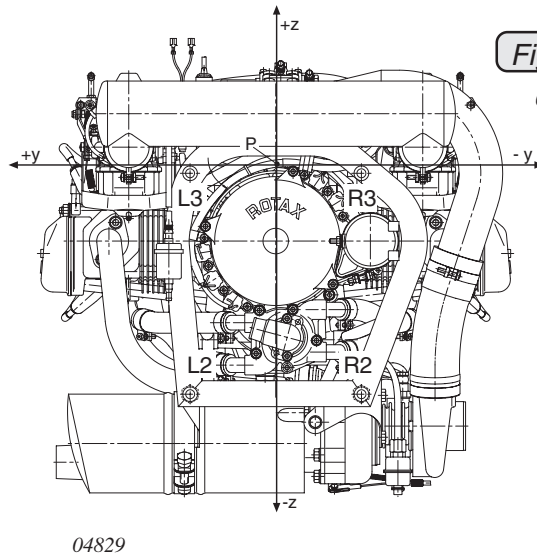
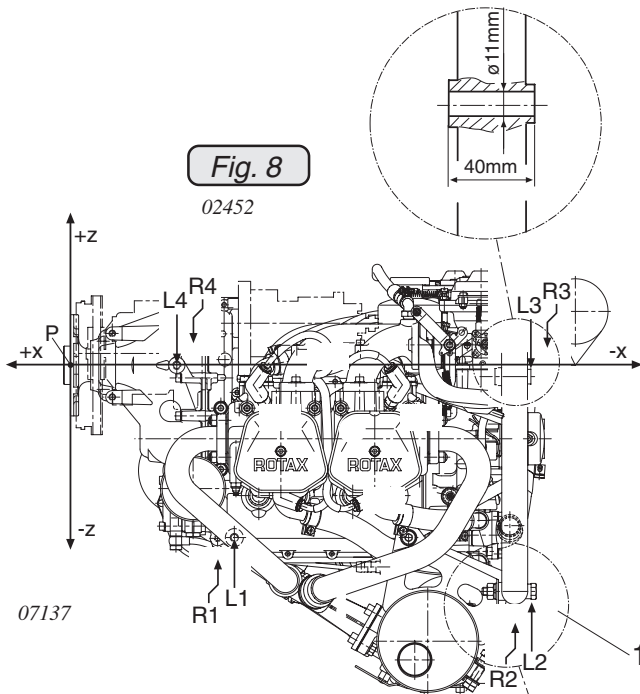
- ▲ WARNING: The hex. screws M10x60 (1) on the attachment points R2 and L2 are only used for transport securing but must never be utilized for engine suspension. See Fig. 8.

Therefore it is recommended to use the ROTAX engine suspension frame and the 4 stated attachment points R2, L2, R3 and L3 .

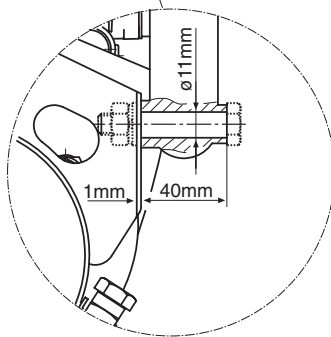
- ▲ WARNING: At least 4 of the eight anchorage points must be used in a side symmetrical pattern of the left (L) and right (R) side.

10.1) Definition of attachment points

See Fig. 8 and 8/1.



	attachment point			
	L1	R1	L4	R4
thread size	M10			
max. usable thread length	25 mm	19 mm ¹⁾		
max. usable thread length	25 mm	16 mm ²⁾		



attachment point	Axes		
	x axis (mm)	y axis (mm)	z axis (mm)
L1	-200,8	-71,0	-211,0
R1	-200,8	71,0	-211,0
L2	-564,0	105,0	-277,0
R2	-564,0	-105,0	-277,0
L3	-564,0	105,0	-7,0
R3	-564,0	-105,0	-7,0
L4	-128,3	87,0	0,0
R4	-128,3	-87,0	0,0

¹⁾ up to gearbox S/N 28986

²⁾ starting from gearbox S/N 28987

▲ **WARNING:** The engine suspension to be designed by the aircraft or fuselage manufacturer such that it will carry safely the maximum occurring operational loads without exceeding the max. allowable-forces and moments on the engine attachment points.

	attachment point			
	L1	R1	L4	R4
04861 max. allowable forces (limit load) in (N) in x, y and z axis	5000		1900	
max. allowable bending moment (limit load) in (Nm) in x, y and z axis	77		39	

	attachment point			
	L2	R2	L3	R3
04862 max. allowable forces (limit load) in (N) in x axis	5 000			
in y axis	2 000			
in z axis	3 000			
max. allowable bending moment (limit load) in (Nm) in x, y and z axis	100			

▲ **WARNING:** Tighten all engine suspension screws as specified by the aircraft manufacturer.

10.2) Permissible fitting positions

See Fig. 9/10/11.

To simplify the matter, reference is made only to the 2 engine attachment points R1, L1 and the 2 turbo charger attachment points R(T)2 and L(T)2.

Location of the 2 turbo charger attachment points R(T)2 und L(T)2.

◆ **NOTE:** All dimensions to point of reference (P) and the system of coordinates remain unchanged.

The following details of engine position are with reference to aircraft on ground, ready for take off.

- engine suitable for propeller in tractor or pusher arrangement,
- propeller shaft above cylinders. See Fig. 2.

▲ **WARNING:** For upside down installation of the engine, the lubrication system, fuel system and the cooling system are unsuitable!

Longitudinal axis:

- The centre of the attachment points L1 and L(T)2 must be on axis x2 parallel to the x axis.

Allowable pitch deviation of parallelism of axes:

- max. 6° counter-clockwise, **on ground**
- max. 10° counter-clockwise, **in operation**
- max. 30° clockwise (See Fig. 9)

▲ **WARNING:** On installations with fuel tank located above carburetor level combined with badly closing carb float valve, fuel could pass into cylinders at more than 6° decline of propeller shaft axis after longer periods of downtime. See FAR, § 33.17.

To prevent a possible hydraulic shock at engine start, ensure proper closing of float valves. If in doubt, park the aircraft with inclining propeller shaft axis.

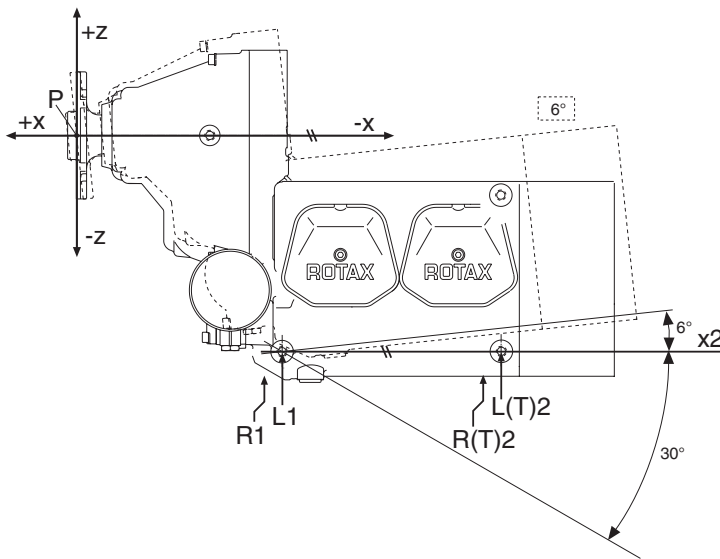


Fig. 9
02453

Propeller axis:

- The centres of attachment points L1 und R1 must be on an axis y2 parallel to y-axis.

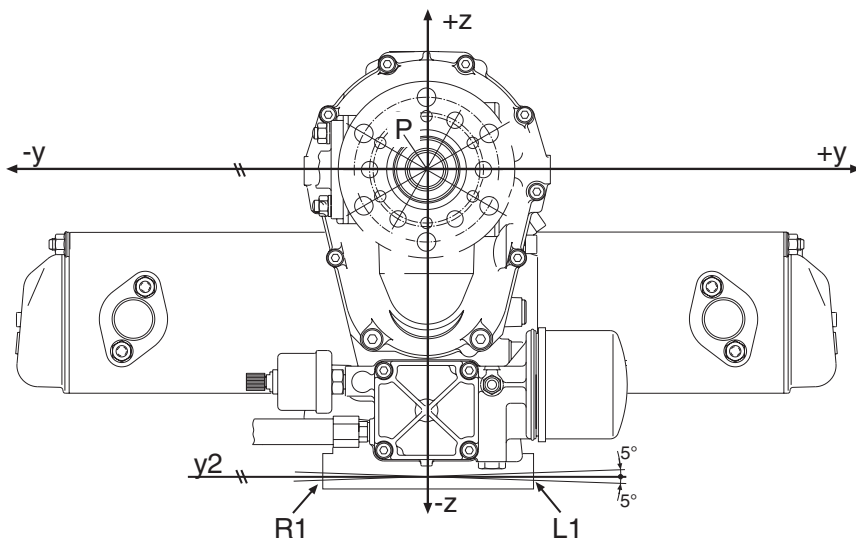


Fig. 10
02454

Tolerated roll deviation of parallelism: $\pm 5^\circ$. (See Fig. 10)

BRP-Rotax

INSTALLATION MANUAL

Vertical axis:

- y-axis must be square to the longitudinal axis of the aircraft.

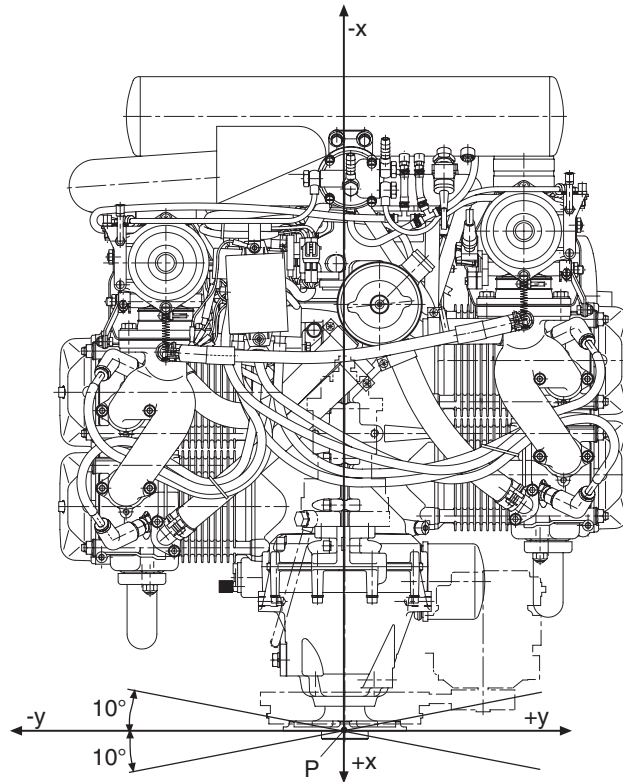


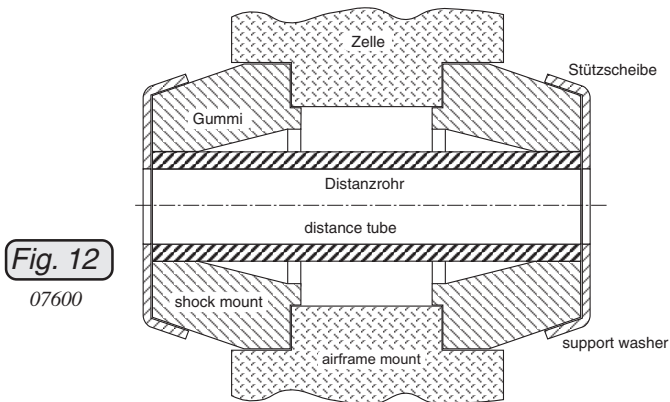
Fig. 11

02455

Tolerated roll deviation of Yaw tolerance: $\pm 10^\circ$ (See Fig. 11)

10.3) General directives for engine suspension

Rubber mounts to be used between engine and aircraft frame to neutralize vibrations. Damping elements as generally used in the aircraft industry (e.g. LORD) are suitable. See Fig. 12.



◆ **NOTE:** The fig. shows rubber mount Lord J 3608-1 resp. J 3608-2.

▲ **WARNING:** All elements to balance out vibrations have to be of captive design.

◆ **NOTE:** With suspension on the 4 top lugs L3, R3, L4 and R4 only, the tilting moment due to the pull of the propeller will be avoided while, if attached on the bottom lugs only, the moment of tilting has to be taken care of accordingly.

▲ **WARNING:** The rubber mounts to neutralize vibrations and all the engine suspension components not in the supply volume must be ground run tested to the specified loads and for vibration behaviour. Certification to the latest requirements such as FAR or EASA has to be conducted by the aircraft manufacturer.

■ **CAUTION:** The engine suspension has to be designed to prevent any excessive engine movement and to minimize noise emission and vibration on air frame side.

See also SL-912-010 "Identifying abnormal vibrations on aircrafts", latest issue.

11) Exhaust system

See Fig. 13.

The complete exhaust system is in the volume of supply and is certified together with the engine.

▲ **WARNING:** If the ROTAX exhaust system is not employed or if modified, certification to the latest requirements such as FAR or EASA has to be conducted by the aircraft manufacturer.

Modifications are permissible only if agreed with by BRP-Rotax.

◆ **NOTE:** As an exception, the exhaust tail pipe can be modified to the following requirements:

- Mean bending radius of an tail pipe: min. 40 mm (1.57 in.)
- Exhaust bend, inside diameter: min. 38 mm (1.50 in.)
- Medium tube length: max. 250 mm (10 in.)
- The insertion depth of the tail pipe into the muffler must be ensured (See Fig. 13/1).

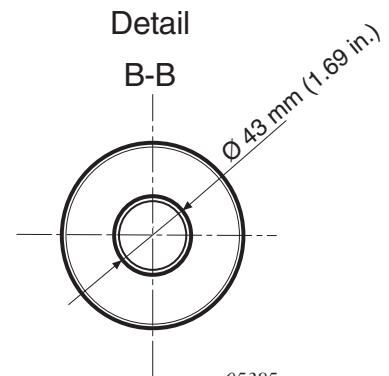
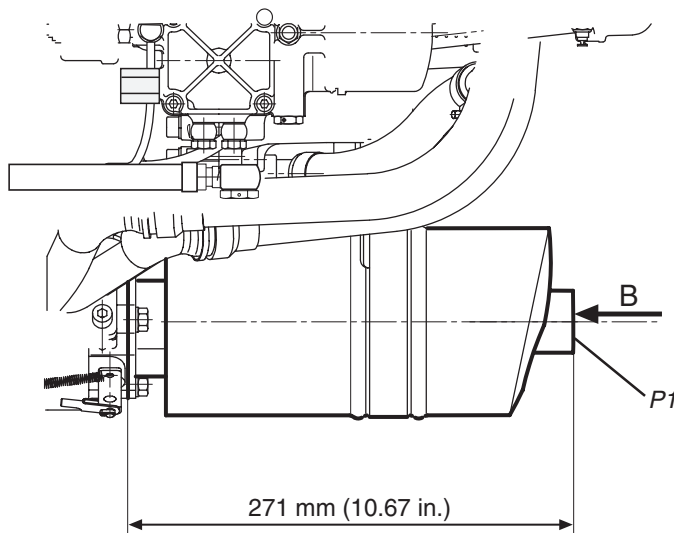
■ **CAUTION:** At a medium tube length of 250 mm (10 in.) and more, the tail pipe must have additional support.

Material of the exhaust system: X 15CrNiSi 20 (DIN 1.4828) (AISI 309)

Location of the exhaust tail pipe (P1)

See Fig. 13.

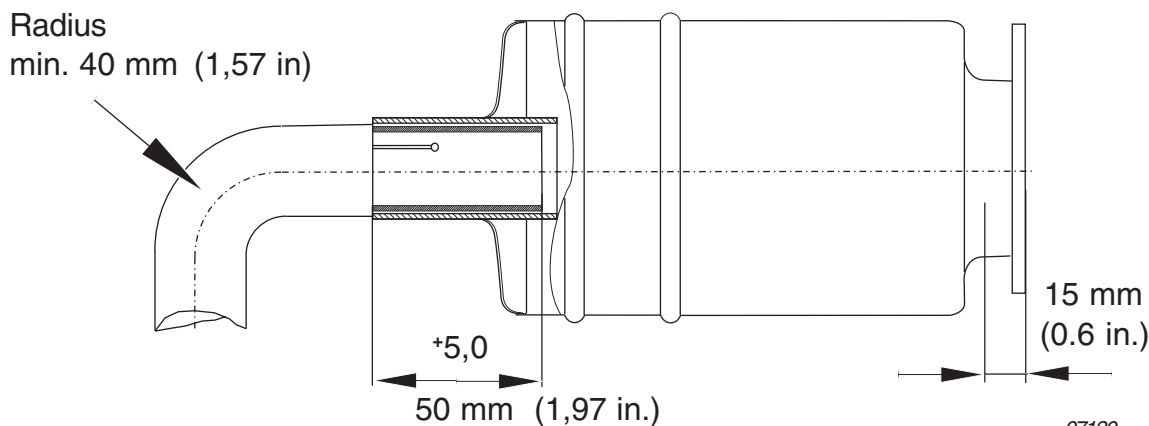
07618		Axes		
Tube end P1	x axis mm	y axis mm	z axis mm	
	-438	+211	-338	



05385
Fig. 13

d04276

- **CAUTION:** Always fit heat shields near carburetors or as required.
 Because of the high temperatures occurring, provide suitable protection against unintentional contact.



07130
Fig. 13/1

11.1) Operating limits

**Exhaust gas temperature:
(both ignition circuits on)**

max.	950 °C (1740 ° F)
normal	900 °C (1650 ° F)

Reading taken approx. 100 mm (3,93 in.) after exhaust flange. See Fig. 13/2

Reading of the exhaust gas temperature has to be taken for certification to the latest requirements such as FAR or EASA has to be conducted by the aircraft manufacturer.

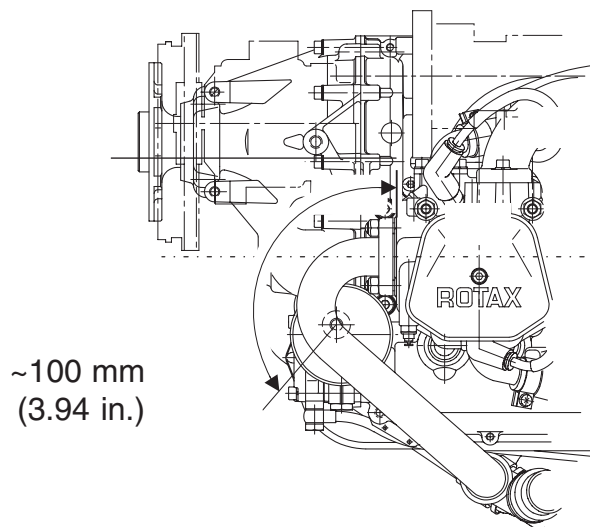


Fig. 13/2

07131

~100 mm
(3.94 in.)

d04276

back pressure at high performance:

(both ignition circuits switched on)

max. 0,15 bar (2.17 PSI)

The measurement should be taken in a distance of about 15 mm (0.6 in.) away from the exhaust flange. See Fig. 13/1. There is no standard connection provided to measure the back pressure.

Reading of the back pressure has to be taken for certification to the latest requirements such as FAR or EASA has to be conducted by the aircraft manufacturer.

11.2) General notes concerning the exhaust system

The ball joints should be greased with heat resistant lubricant (ie.: LOCTITE ANTISEIZE) to avoid jams and locks of the ball joint.

■ CAUTION: Vibrations due to improper installation and maintenance are a common source for errors of the exhaust system.

NOTES

12) Cooling system

12.1) Description of the system

See Fig. 14.

The cooling system of the ROTAX 914 is designed for liquid cooling of the cylinder heads and ram-air cooling of the cylinders.

The cooling system of the cylinder heads is a **closed** circuit with an expansion tank and overflow bottle.

The coolant flow is forced by a water pump, driven from the camshaft, from the radiator to the cylinder heads. From the top of the cylinder heads the coolant passes on to the expansion tank (1). Since the standard location of the radiator (2) is below engine level, the expansion tank located on top of the engine allows for coolant expansion.

The expansion tank is closed by a pressure cap (3) (with pressure relief valve and return valve). At temperature rise and expansion of the coolant the pressure relief valve opens and the coolant will flow via a hose at atmospheric pressure to the transparent overflow bottle (4). When cooling down, the coolant will be sucked back into the cooling circuit. See therefore SB-914-025 "Modifications of the overflow bottle", latest issue.

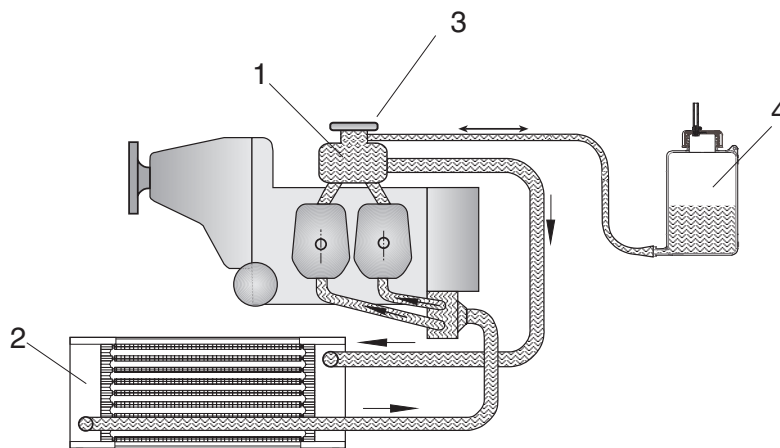


Fig. 14

09152

The shape, size and location of one or more radiators depend mainly on the space available.

BRP-Rotax offers optional radiators, these radiators when properly installed in winged aircrafts has proven its worth in regard to the operating limits. The flow resistance of the cooling liquid in the radiator is adjusted well to the cooling system. Make sure that the diameter of the conduction is sufficient.

12.2) Operating Limits

Using conventional coolant:

Coolant temperature: (coolant exit temperature)
max.....120 °C (248 °F)

Cylinder head temperature:
max.....135 °C (275 °F)

Permanent monitoring of coolant temperature and cylinder head temperature is necessary.

Using waterless coolant:

Cylinder head temperature:
max.....135 °C (275 °F)

Permanent monitoring of cylinder head temperature is necessary.

▲ **WARNING:** The cooling system has to be designed so that operating temperatures will not be more than the maximum values.

Monitoring the cylinder head temperature is important to control the engine cooling and prevents detonation within the operating limits. It is also necessary to design the cooling circuit so that under no conditions the coolant does get near its boiling point, because a subsequent loss of coolant can quickly cause the engine to overheat.

The boiling point of the coolant is influenced mainly by

- the type of coolant
- the proportion of the mixture (percentage water rate)
- the system pressure (opening pressure of radiator cap)

Correlation between coolant temperature and cylinder head temperature

There is in principle a regular relationship between coolant temperature and cylinder head temperature. The coolant transfers some of the combustion heat to the radiator. Thus, the coolant temperature is usually lower than the cylinder head temperature. But the temperature difference between coolant and cylinder head is not constant and can vary with different engine installation (cowling or free installation, tractor or pusher, flight speed, etc.).

- ◆ **NOTE:** The basic requirement for safe operation is that boiling of conventional coolant must be prevented. The boiling point of conventional coolant is 120 °C (248 °F) with a 50/50 mixture proportion and a system pressure of 1.2 bar (17.5 psi).

12.3) Coolant types

In principle, 2 different types of coolant are permitted.

Type 1:

- Conventional coolant based on ethylene glycol

Conventional coolant is recommended as it is commonly available and has a greater thermal heat transfer capability. Its limitation is its lower boiling point.

Conventional coolant should be used with a mixture of 50 % concentrate and 50 % water.

- ◆ **NOTE:** Some conventional coolant is available pre-mixed by the manufacturer. In this case do not mix with water, follow the manufacturers instructions on the container.

Conventional coolant with a rate of 50% water cannot boil at a temperature below 120 °C (248 °F) at a pressure of 1.2 bar (17.5 psi). Thus, the coolant temperature limit is at max. 120 °C (248 °F).

Permanent monitoring of coolant temperature and cylinder head temperature is necessary.

Type 2:

- Waterless coolant based on propylene glycol

Waterless coolant is recommended if the design of the aircraft can not maintain the coolant temperature limit. Waterless coolant has a very high boiling point that prevents coolant loss due to „boiling over“ (vapor loss), but not to prevent detonation, which can occur with cylinder head temperatures higher than 135 °C (275 °F). It does not require pressure to maintain its boiling point. Due to a lower thermal conductivity the engine temperature will typically run about 5-10 °C (41-50 °F) higher with waterless coolant.

Permanent monitoring of cylinder head temperature is necessary.

Additional monitoring of the actual coolant temperature is possible, but not required.

Marking of the coolant to be used

- CAUTION: The coolant to be used and its concentration (percentage water rate) must be communicated to the owner in the correct form.
Waterless coolant must not mix with water, as otherwise to lose the advantages of the high boiling point.

Example: EVANS NPG+. See Fig. 15.

- 1 Warning sticker
- 2 Radiator cap
- 3 Opening pressure information of radiator cap.

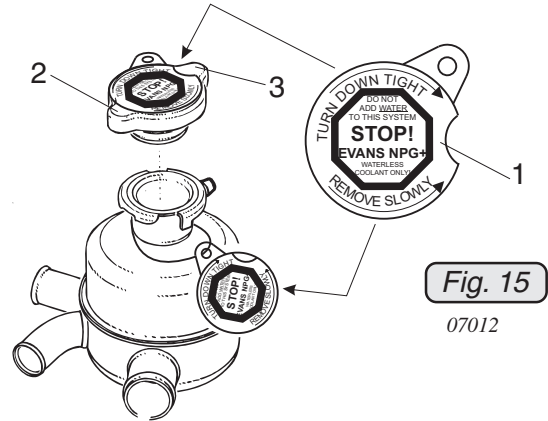
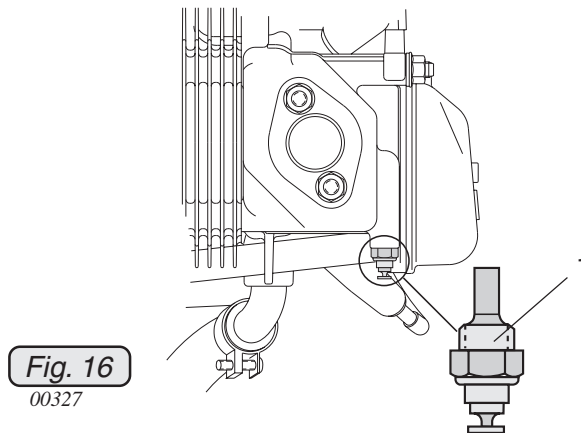


Fig. 15
07012

12.4) Check cooling system - Efficiency of the cooling system

For a measurement of the cooling system the maximum values for coolant exit temperature and cylinder head temperature must be found. According to the current specifications.



12.4.1) Measurement of cylinder head temperature and coolant exit temperature

There are two temperature sensors (1) on the cylinder 2 and 3 for measuring the cylinder head temperature. During flight test the place with the highest cylinder head temperature must be found, this can vary with different engine installation (cowling or free installation, tractor or pusher, fight speed etc.).

d04277

BRP-Rotax

INSTALLATION MANUAL

The measuring of the coolant exit temperature is performed using a separate sensor, which has to be installed in the line between expansion tank (1) and radiator inlet (2).

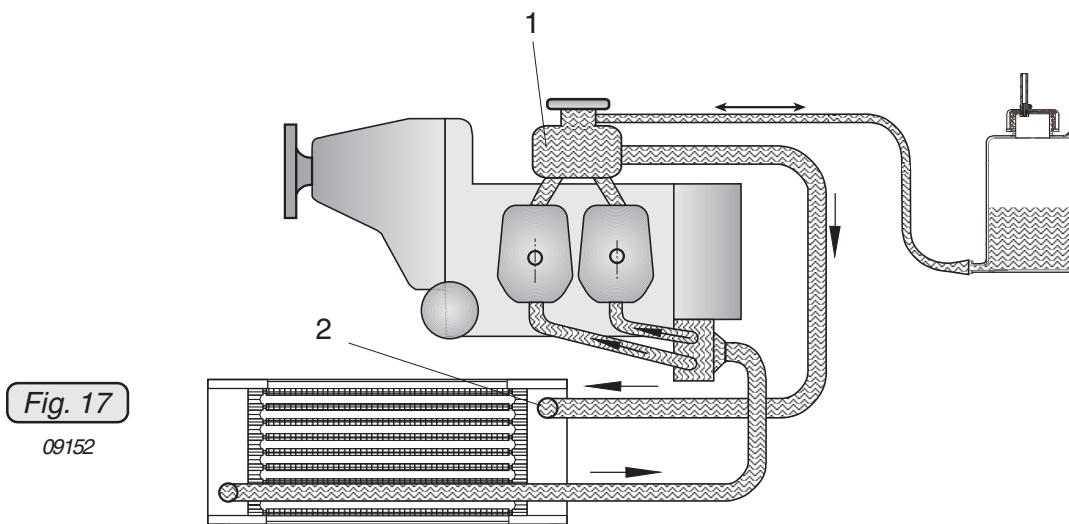


Fig. 17
09152

The sensor may be installed in a „TEE“ inline with the fluid hose or the expansion tank may be modified to attach the sensor (not supplied by BRP-Rotax).

- ▲ **WARNING:** Do not restrict the coolant flow with the sensor device.
- **CAUTION:** It is possible to receive a misleading reading when measuring fluid temperatures. If fluid volume is lost and the probe is not fully submerged in the fluid the display could show a lower temperature than actual (measuring air temperature instead of fluid temperature).

12.5) Determination of operating limits, Coolant and necessary modification on radiator installation

Depending on the achieved maximum values of the cylinder head temperature and the coolant temperature following action are necessary.

07818

maximum values for		coolant used for tests	
Coolant temperature	Cylinder head temperature	Conventional coolant	Waterless coolant
less than 120 °C (248 °F)	less than 135 °C (275 °F)	Additional instruments for displaying coolant temperature is necessary b)	Modifications to the instruments or limit not necessary a)
more than 120 °C (248 °F)	less than 135 °C (275 °F)	Cooling capacity too low. Check of the installation necessary c)	
less than 120 °C (248 °F)	more than 135 °C (275 °F)		Cooling capacity too low. Check of the installation necessary c)
more than 120 °C (248 °F)	more than 135 °C (275 °F)		

- a)** Maximum cylinder head temperature is below operating limit. Operating with waterless coolant, is permissible without modification to the installation.
- b)** Maximum cylinder head temperature and coolant exit temperature is below operating limit.

For operating with conventional coolant it is necessary to monitoring constantly cylinder head temperature and coolant exit temperature.

◆ **NOTE:** For detection of possible indication error an additional monitoring of the cylinder head temperature is necessary which shows an exceeding in case of coolant loss.

The aircraft manufacturer has the option of converting the coolant temperature and the cylinder head temperature to an aircraft specific cylinder head temperature. This is possible by calculating the difference between the head material and the coolant temperature.

This is done by following the flight test procedure on page 47.

BRP-Rotax

INSTALLATION MANUAL

Once the calculation is made and the indicating instrument re-labeled it is acceptable to use the cylinder head temperature as the primary cockpit display instead of installing a sensor in the coolant flow.

The measurement is based on the maximum coolant temperature and cylinder head temperature according to the current requirement.

- **CAUTION:** In no case a cylinder head temperature higher than the limit of 135 °C (275 °F) can be defined because detonation could not be sufficiently prevented.

Refer to the flight test example that follows.

c) Cooling capacity of the installation too low.

Flight test example:

Calculated values (maximum values found for coolant temperature and cylinder head temperature. Refer to the current specification of the FAA and/or EASA):

Coolant temperature.....102 °C (216 °F)

Cylinder head temperature.....110 °C (230 °F)

The cylinder head temperature is 8 °C higher than the coolant temperature.

Thus:

Coolant temperature limit.....120 °C (248 °F)

Difference cylinder head and coolant temperature.....+ 8 °C (46 °F)
= 128 °C (262 °F)

The highest cylinder head temperature permitted is 128 °C (262 °F), so that the max. coolant temperature is kept.

With this special application, safe operation of the engine that prevents boiling of the coolant is possible up to a cylinder head temperature of 128 °C (262 °F).

- **CAUTION:** This cylinder head temperature with the limit found for this type must be displayed constantly in the cockpit.
The indicating instrument and the manuals must be changed to cylinder head temperature max. 128 °C (262 °F).
- **CAUTION:** The design of the radiator installation must be changed (example: cowl modifications), such that the operating temperature will not exceed the specified limits.

12.6) Requirements on the cooling system

■ **CAUTION:** All components of the cooling system have to be secured suitably.

▲ **WARNING:** The size and layout of the cooling system must be designed to keep the heat of the operating temperatures within the specified limits.

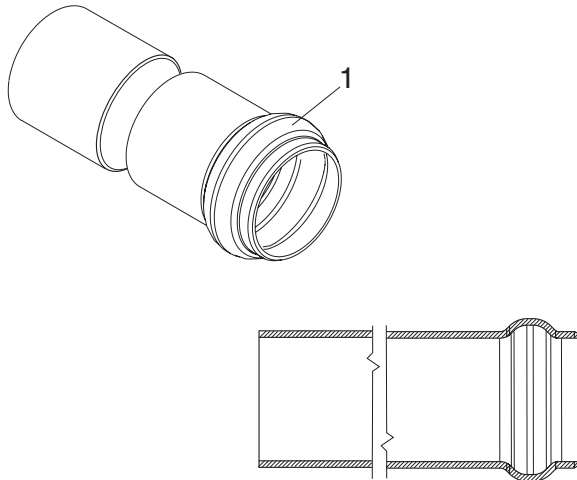
To minimize flow resistance employ a radiator with low flow resistance and parallel flow as realized on the original BRP-Rotax radiator and use short hoses and pipelines.

Coolant hoses:

- temperature durability: min. 125 °C (257 °F)
- pressure durability: min. 5 bar (73 p.s.i.)
- nom. inside dia : 25 mm (1")
- bending radius: min. 175 mm (7")
- material: Suitable for 100 % Glycol and antifreeze agents.

■ **CAUTION:** All hoses which are exposed to the radiated heat from the exhaust system have to be shielded in an appropriate way (i.e.: with a heat resistant hose).

◆ **NOTE:** Instead of long hoses, aluminium pipes may be used (inner diameter 25 mm (1")). These should come with a bead (1) to avoid loose coolant hoses.



09158

Fig. 18

Hose from the expansion tank to the overflow bottle:

- Hose connecting expansion tank to overflow bottle must be rated for vacuum/suction for min. 125 °C (257 °F). E.g.: the hose must be strong enough to withstand high heat and suction during the cooling down period.

▲ **WARNING:** A soft walled hose is not suitable as it can collapse and cause coolant system failure.

12.7) Size and position of connections

See Fig. 19/20/21.

- expansion tank (1) with radiator cap (2)

to radiator (3):	outside dia. 25 mm (1")
slip-on length	max. 22 mm (7/8")

to overflow bottle (4):	outside dia. 8 mm (3/8")
slip-on length	max. 15 mm (9/16")

■ **CAUTION:** The hoses have to be fixed with appropriate clamps to prevent loss. E.g. with spring type clamps as used already for the water tubes between water pump and cylinder. Good field experience has been made with this type of clamps.

◆ **NOTE:** See therefore also SI-914-022 "Running modifications", latest issue for more information.

The aircraft manufacturer has to carry out the check of coolant level in the expansion tank and note it in the daily inspection section of his flight manual according latest issue of Operators Manual ROTAX 914.

It is recommended to make adequate precautions for accomplishment of these inspections, e.g. a door or panel on the cowling or a warning instrument in the cockpit for low coolant level.

BRP-Rotax
INSTALLATION MANUAL

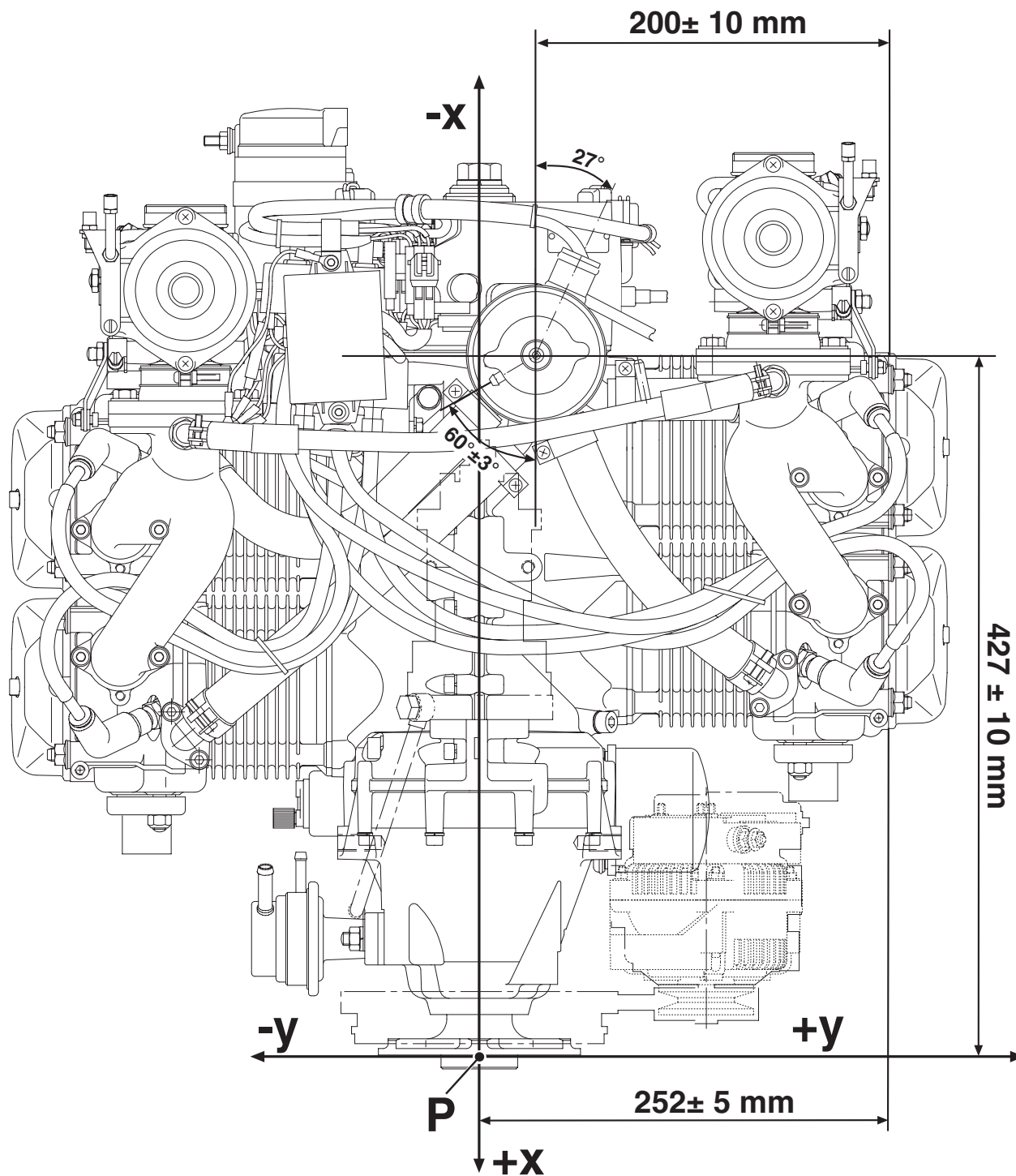


Fig.19

07136

◆ NOTE:

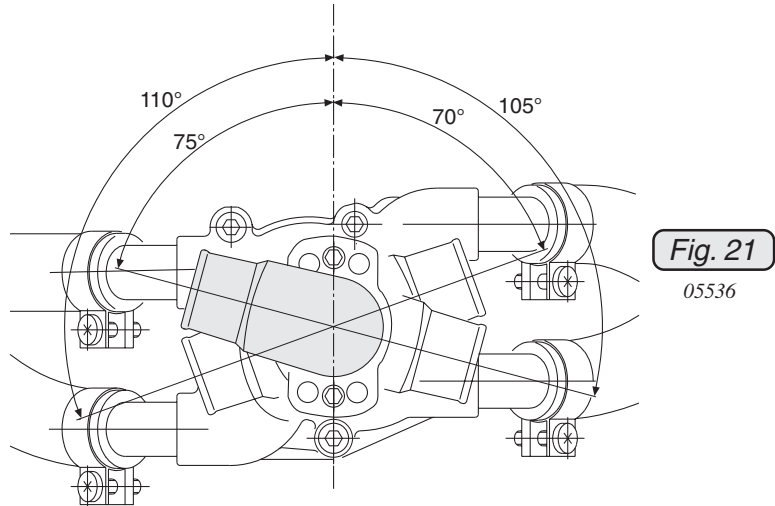
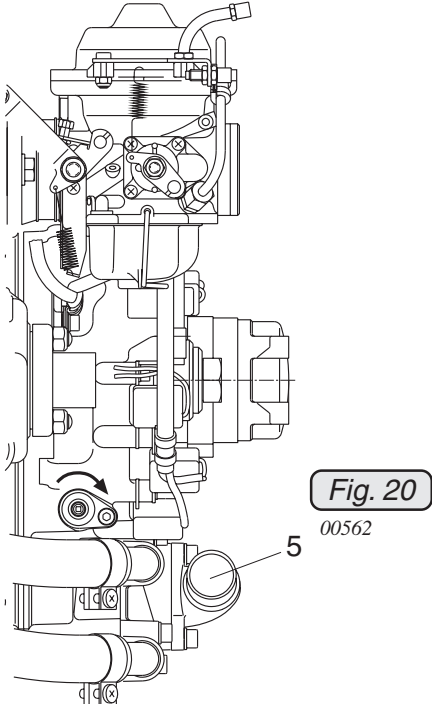
The picture shows ROTAX 912 Series, but the location of the expansion tank is identical as on ROTAX 914 Series.

d04277

BRP-Rotax

INSTALLATION MANUAL

- water inlet bend (5): outside dia. 27 mm (1 1/16")
slip-on length max. 19 mm (3/4")



- ◆ **NOTE:** Choose between six possible fitting positions of water inlet bend (5) appropriate to specific installation (see Fig.).
The inlet bend is attached to the water pump by two Allen screws M6x20 and lock washers. Tighten screws to 10 Nm (90 in.lb.).
- **CAUTION:** Utilize total slip-on length for hose connection. Secure hoses with suitable spring type clamp or screw clamp.

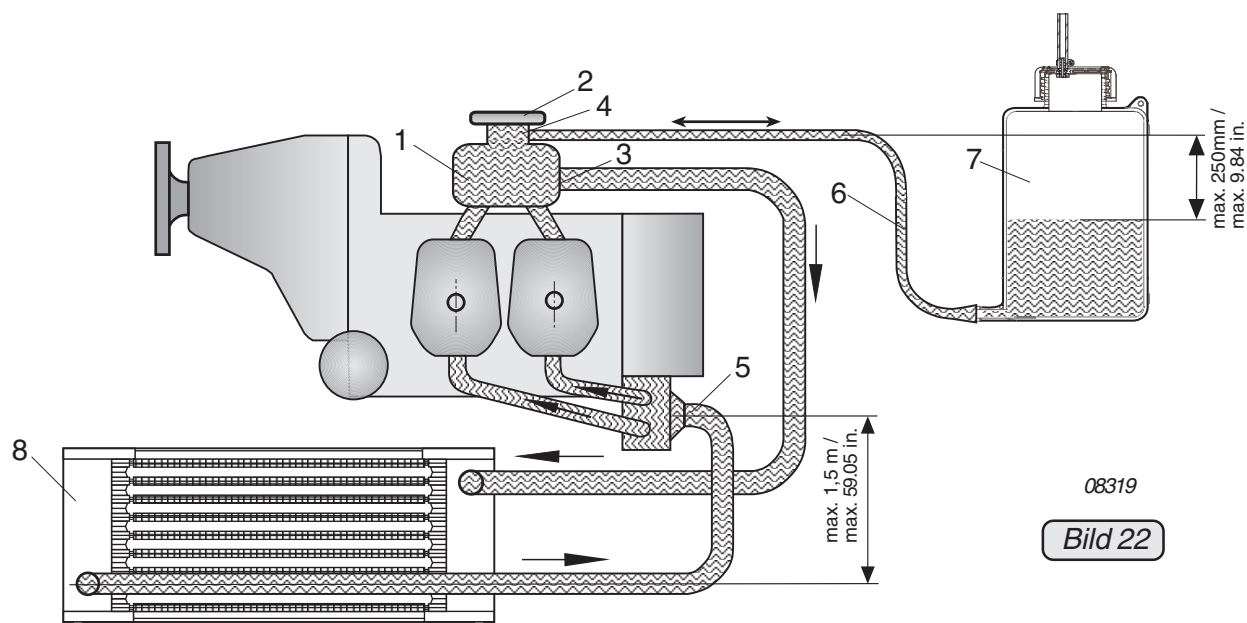
12.8) Requirements, feasible location and fitting position concerning radiator/ expansion tank/overflow bottle

See Fig. 22.

The expansion tank (1) must always be positioned at the highest point of the cooling system.

■ **CAUTION:** If necessary, the radiator outlet opening (8) may be max. **1,5 m** (5 ft) above or below water inlet bend (5) on water pump (see Fig. 22).

◆ **NOTE:** On the standard engine version the expansion tank (1) is fitted on top of the engine (see Fig. 22).



For proper operation of the cooling system the expansion tank (1) with pressure cap (2) has to remain for all possible engine positions on the highest point of the cooling circuit.

▲ **WARNING:** The radiator has to be planned and installed such that the specified operating temperatures are maintained and the max. values are neither exceeded nor fall below.

This state has to be warranted for "**hot day conditions**" too!

If necessary take appropriate measures like changing size of radiator, partial covering of radiator etc.

Additionally the system needs an overflow bottle (7) where surplus coolant is collected and returned back into the circuit at the cooling down period.

- ◆ **NOTE:** For proper operation keep hose to overflow bottle as short and small as possible.
- **CAUTION:** To warrant the proper operation of the cooling system the delivery head between overflow bottle and expansion tank must not exceed 250 mm (10").

Requirements on the overflow bottle (7)

- transparent material
- unaffected by temperatures from - 40 °C (- 40 °F) to +125 °C (257 °F)
- resistant against 100% Glycol and any other anti freeze agent
- volume approx. 0,5 l (.13 US gal)
- possible to vent (6), diameter 2.5 mm (0.1 in.)

- ◆ **NOTE:** See therefore SB-914-025 "Modifications of the overflow bottle", latest issue.

- ◆ **NOTE:** The overflow bottle ought to be furnished with a label indicating function and content.

- ▲ **WARNING:** Ensure that the overflow bottle will never be empty, otherwise air will be sucked into cooling circuit with a negative effect to safe operation of the engine.

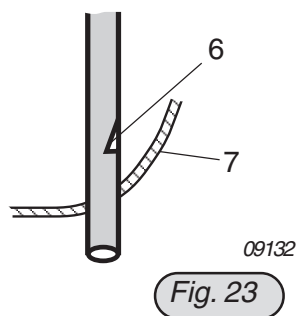
- **CAUTION:** The overflow bottle and their supply lines and discharge lines should never be installed in the area near the exhaust system, under specific circumstances leaking coolant can be inflammable.

- ◆ **NOTE:** To enable an improved vent of the escaping coolant steam from the expansion bottle in case of overheating, the plastic plug can be retrofitted with hose nipple and hose.

The vent line (5) has to be routed in a way that no coolant can get in contact with the hot exhaust system.

The venting line must be routed in a continuous decline or furnished with a drain bore at it's lowest point to drain possible condensation.

The vent line has to be protected from any kind of ice formation from condensation. Protection by insulation, or routing in a hose with hot air flow or by furnishing the vent line with a bypass opening (slot) (6) before passing through cowling (7). See Fig. 23 to Fig. 27.



d04277

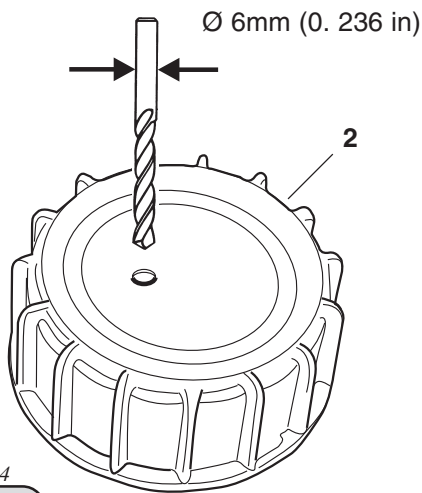
BRP-Rotax

INSTALLATION MANUAL

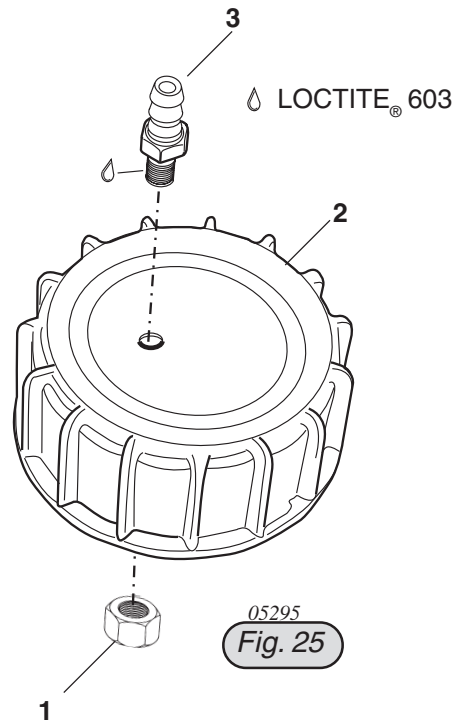
- Unscrew cap (2) from the overflow bottle.
- Bore the existing vent hole from dia. 2.5 mm (0.1 in.) to dia. 6 mm (0.236 in.)
- Apply LOCTITE® 603 to the threads of the hose nipple (3).
- Insert nipple (3) into the vent hole.
- Install nut (1) onto the hose nipple (3). Tightening torque 5 Nm (44 in lb).
- Screw the cap onto the overflow bottle.

Steps to attach the hose:

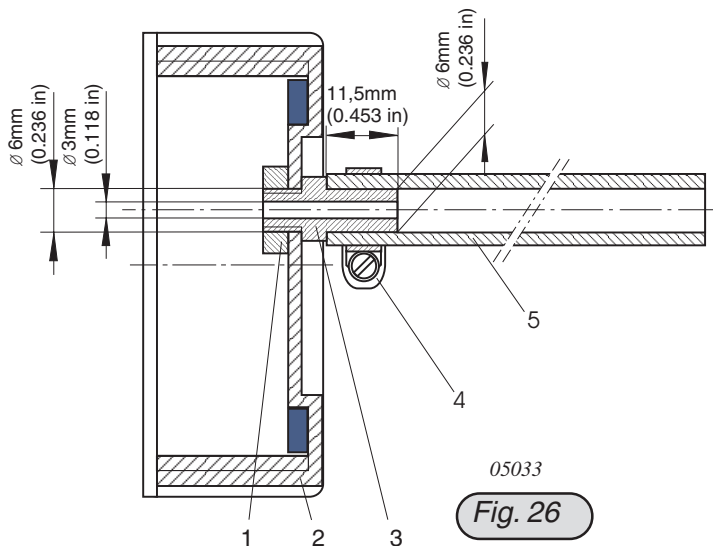
- Attach the hose with a Jubilee hose clamp (4) or with a spring type hose clip.
- Make sure the hose (5) has no kinks. Route it overboard and secure.



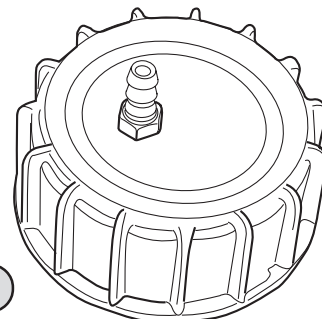
05294
Fig. 24



05295
Fig. 25



05033
Fig. 26



05039
Fig. 27

d04277

12.9) General directives for the cooling system

See Fig. 28.

BRP-Rotax offers essential parts of the cooling system for this engine such as radiator, etc..

▲ **WARNING:** Certification to the latest requirements to FAR or EASA has to be conducted by the aircraft manufacturer.

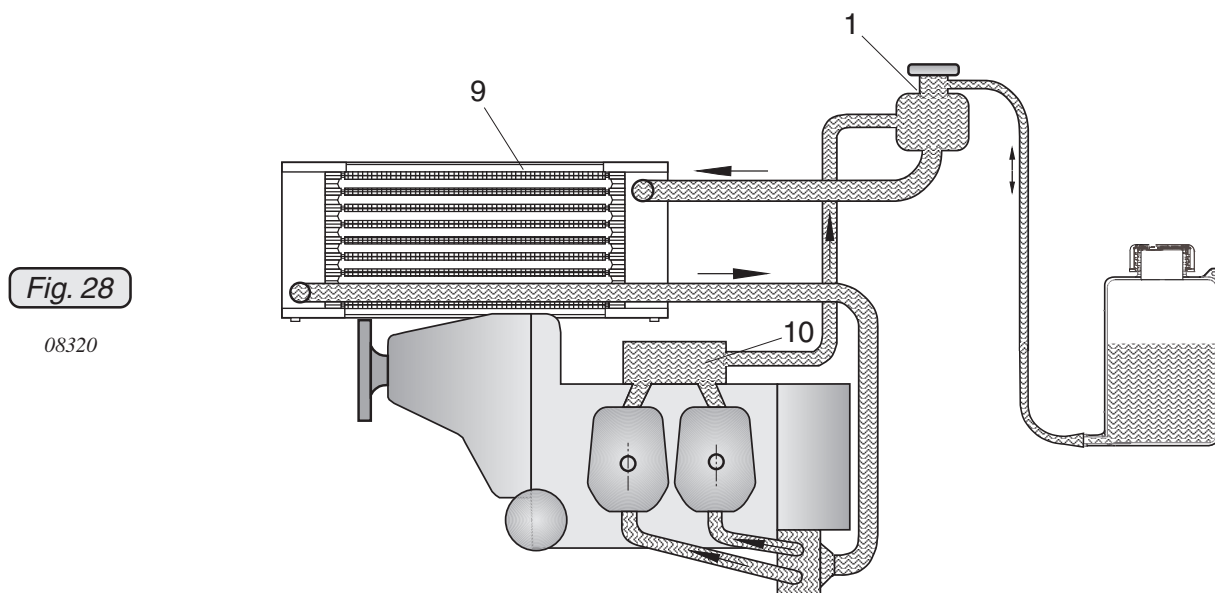


Fig. 28

08320

In an installation as depicted with the radiator (9) in a higher position than the standard supplied expansion tank, a water accumulator (10) has to be fitted instead of the expansion tank. Additionally a suitable expansion tank (1) has to be installed at the highest point of the cooling circuit.

■ **CAUTION:** The size and type of radiator should be adequate to transfer thermal energy of approx. 30 kW (28 BTU/s) at take-off power.

◆ **NOTE:** Assessment data by experience. For troublefree operation at good airflow a radiator of at least 500 cm² (78 in²) area has to be used. The flow rate of coolant in the cooling system is approx. 60 l/min (16 US gal/min) at 5800 rpm. As reference value for the necessary cooling airflow approx. 0,75 m³/s at full load can be assumed.

The flow resistance of the coolant in the optional ROTAX-radiator is properly designed for the cooling system.

Check flow rate and cooling capacity if other radiators are used.

No provision has been made for attachment of the radiator(s) on the engine (rubber mounts are recommended).

- **CAUTION:** Install the radiator without distortion or stress and free of vibrations (rubber mounts are recommended).

At installation of a non-original ROTAX radiator take care of sufficient cooling capacity. See section 12.7

To achieve the best possible cooling effect via the venting of the cooler it is recommended to install a proper elastic sealing as a link to the cowling or to an air duct.

||| **12.10)Coolant capacity**

4 cylinder heads: 560 cm³ (34.1 in³)

water pump: 100 cm³ (6.10 in³)

expansion tank: 250 cm³ (15.2 in³)

2 m coolant hose

(18 mm (.71 in) inside dia.) : 500 cm³ (30.5 in³)

total coolant quantity in engine: approx. 1,5 l (0.4 gal (US))

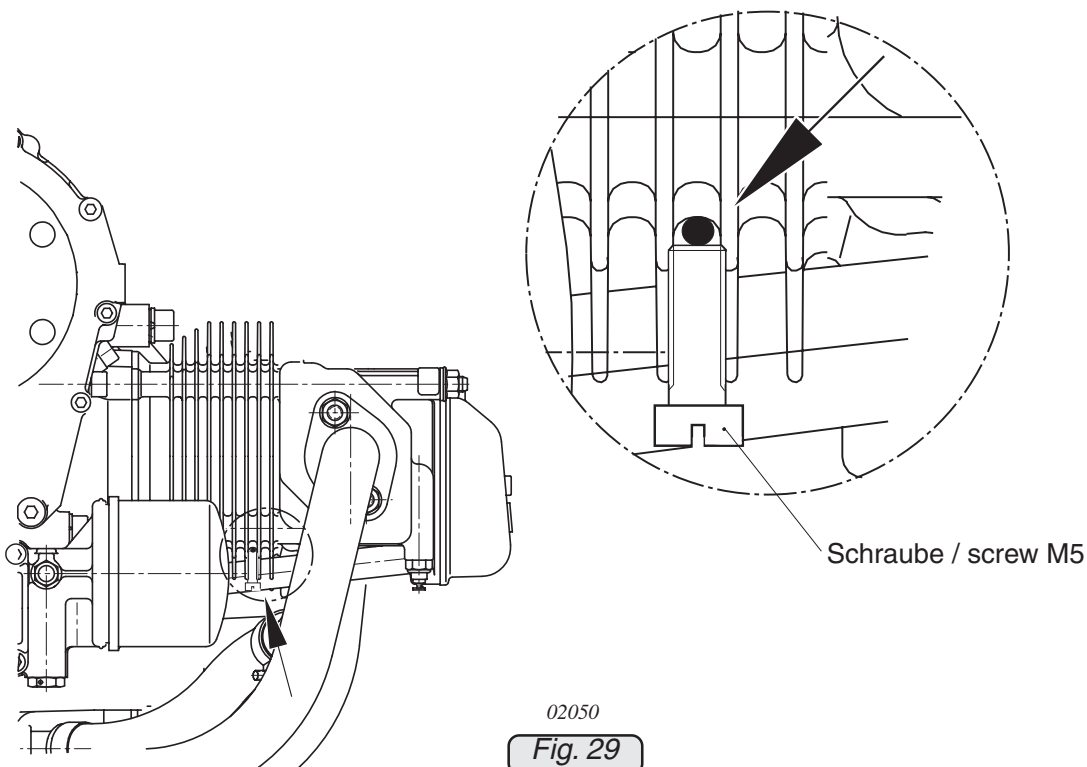
12.11)Cooling air ducting

Contrary to the cylinder heads, the cylinders are ram air cooled. Plan cooling air ducting according to installation requirement.

▲ **WARNING:** The cooling air ducting has to be designed and built such, that the operating temperatures are kept within the specified limits and maximum values are not exceeded.

This must also be warranted at "**hot day conditions**"!

Max. permissible cylinder wall temperature on cylinder 2 200 °C (392 °F)
(see Fig. 29)



d04277

12.11.1) General directives for ducting of the cooling air

See Fig. 32.

For front installation in a closed cowling, ducting of cooling air to the cylinders is recommended. In this case a costly horizontal partitioning can be avoided.

- ◆ **NOTE:** The engine remains in this case completely on the warm side of the engine compartment and is very well accessible. In special cases a separate cold air supply to the air intake filters has to be provided.

BRP-Rotax has developed especially for this application a non-certified cooling air ducting.

to be conducted by the aircraft manufacturer.

The following recommendations should assist the aircraft manufacturer at the planning of a suitable cooling air ducting.

- The cooling air ducting to be adequate to transfer thermal energy of approx. 6 kW (5,7 BTU/s) at take-off power.
- required cross section of air duct: at least 100 cm² (16 in²)
- material:
glass fibre reinforced plastic or heat resistant non-inflammable material.
- attachment:
formlocking on engine case and above of cylinders and crankcase

- ◆ **NOTE:** In case formlocking attachment won't be adequate, additional attachment is possible on two tapped lugs M8 on top side of engine.

BRP-Rotax

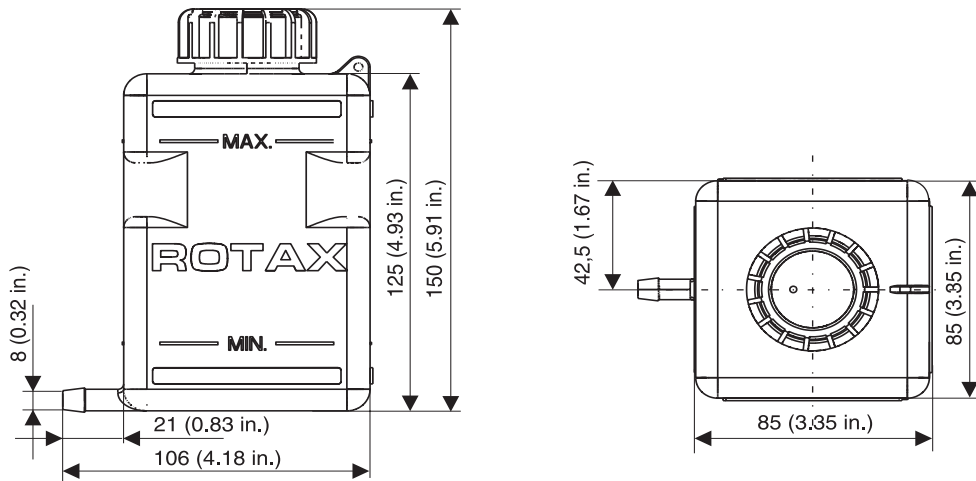
INSTALLATION MANUAL

- **CAUTION:** The stated limit loads are valid only at utilization of min specified thread length, and must never be exceeded.
Depth of thread 18 mm (.71 in).

04864				04876	
attachment points	Axes			attachment points	
	x axis mm (in.)	y axis mm (in.)	z axis mm (in.)	max. allowable forces (limit load) in (N) in x, y and z axis	2 000
	-300 (-11.81 in)	-30 (-1.18 in)	-14 (-0.55 in)	max. allowable bending moment (limit load) in (Nm) in x, y and z axis	50
-300 (-11.81 in)	-30 (-1.18 in)	-14 (-0.55 in)	min. length of thread engagement (mm)	15 (0.59 in)	

12.12) Data for optional components of cooling system

- overflow bottle
- See Fig. 30.



09148
Fig. 30

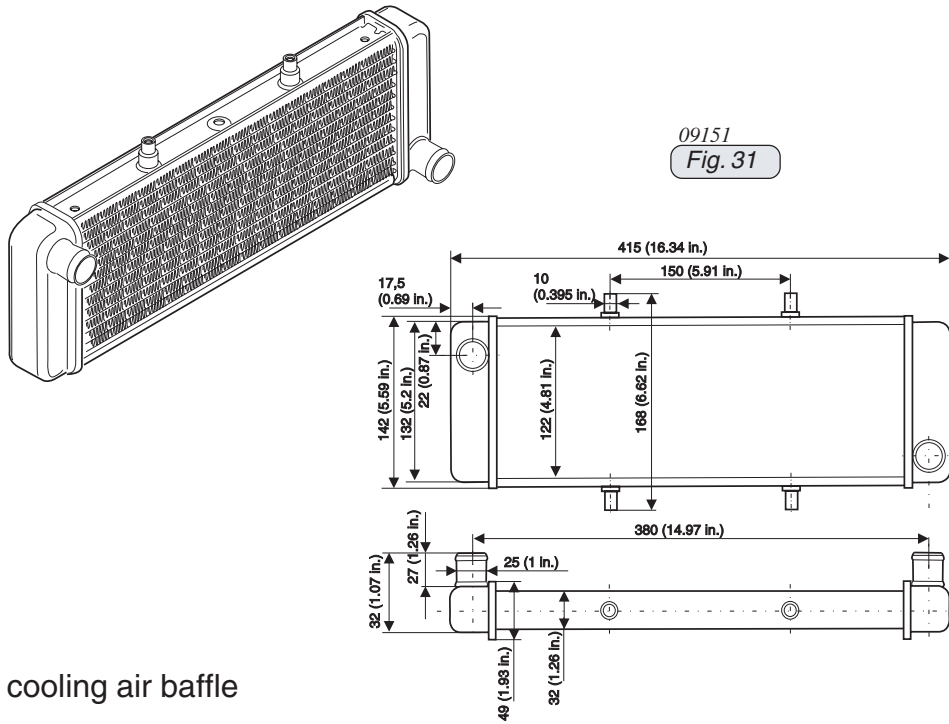
BRP-Rotax

INSTALLATION MANUAL

- radiator

See Fig. 31.

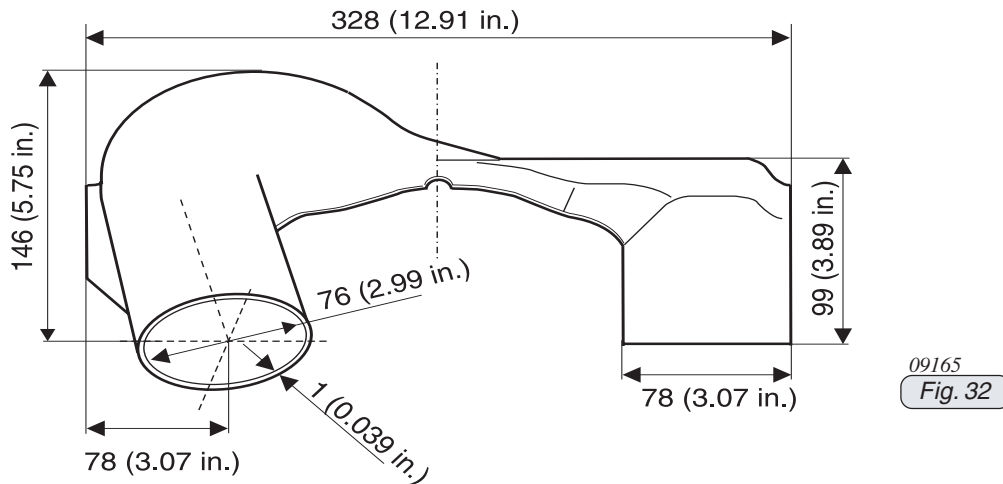
- weight: see section 8.



- cooling air baffle

See Fig. 32.

- weight: see section 8.



◆ NOTE: The gap between cowling and radiator should be covered by appropriate sealing lips for better efficiency of cooling.

13) Lubrication system

13.1) Description of the system

See Fig. 33.

The ROTAX 914 engine is provided with a dry sump forced lubrication system with a main oil pump with integrated pressure regulator and an additional suction pump.

◆ NOTE: The oil pumps are driven by the camshaft.

The main oil pump sucks the motor oil from the oil tank (1) via the oil cooler (2) and forces it through the oil filter to the points of lubrication (lubricates also the plain bearings of the turbo charger and the propeller governor).

The surplus oil emerging from the points of lubrication accumulates on the bottom of crankcase and is forced back to the oil tank by the blow-by gases.

The turbo charger is lubricated via a separate oil line (3) from the main oil pump.

The oil emerging from the lower placed turbo charger collects in the oil sump and is pumped back by a separate pump to the oil tank via the oil line (4).

◆ NOTE: The oil circuit is vented via nipple (5) in the oil tank.

For the completion of the lubrication system only the following connections need to be established:

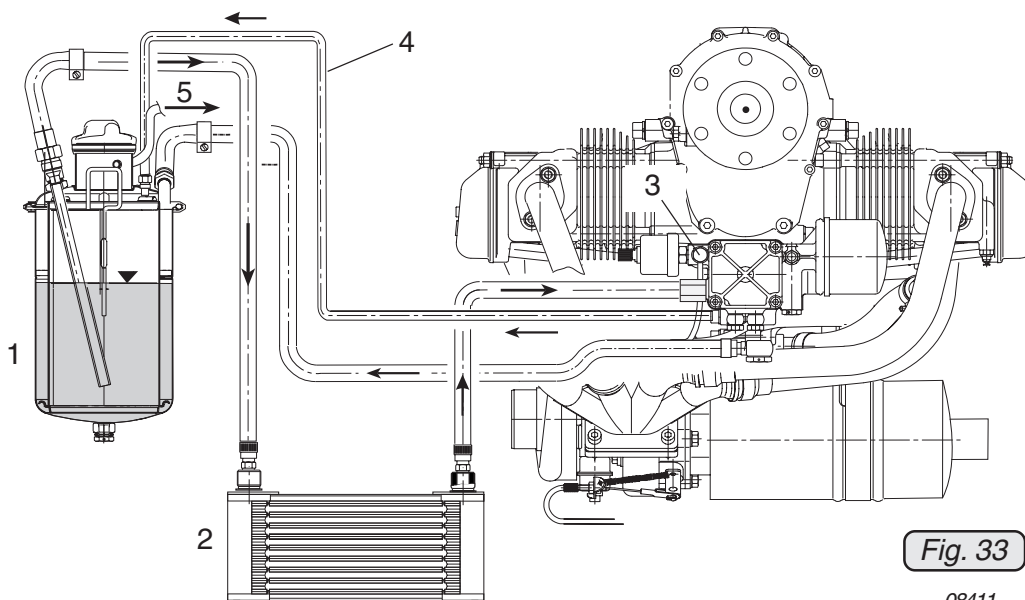


Fig. 33

08411

Lubrication circuit engine (main oil pump)

oil tank (outlet) to the oil cooler
oil cooler to the oil pump (inlet)
oil return to the oil tank (inlet)
oil tank to the venting line

Oil circuit turbo charger (suction pump)

oil return to the oil tank (inlet)

- ◆ **NOTE:** In the serial version of the engine an oil tank is included, but no provision is made for attachment of an oil cooler.
- ▲ **WARNING:** Certification of oil cooler and connections to the latest requirements such as FAR and EASA has to be conducted by the aircraft manufacturer.

13.2) Limits of operation

- ▲ **WARNING:** The lubrication system has to be designed such that operating temperatures will not exceed the specified limits.

Oil pressure: For oil pressure sensor see Fig. 93/94.

see OM 914 Serie, section 10.1

Oil temperature: Oil temperature sensor, see Fig. 91/92.

see OM 914 Serie, section 10.1

- ▲ **WARNING:** At operation below nominal oil temperature formation of condensate in the lubrication system might influence oil quality.
- ◆ **NOTE:** For operation at low temperatures the installation of an oil thermostat, parallel to the oil cooler, is strongly recommended.
Advantages: safe oil pressure after cold start, prevention of fuel and water accumulation in the oil.
See therefore SL-914-009 "Use of an oil thermostat", latest issue.

13.3) Checking of the lubrication system

To control the proper function of the lubrication system the following readings have to be taken on the running engine.

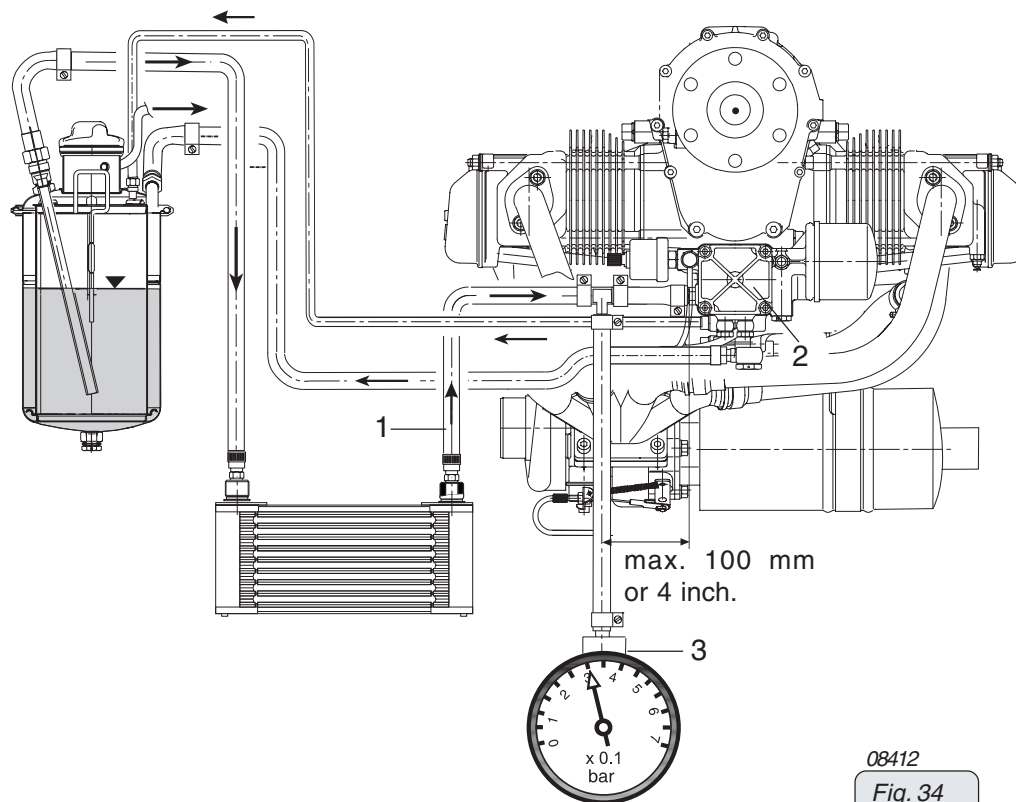
- ◆ NOTE: The required pressure gauges and connection parts are not included in the ROTAX engine delivery.

13.3.1) Measuring of the vacuum

Measuring of vacuum in the oil suction line (1) (line from oil tank to oil pump via oil cooler) at a max. distance of 100 mm (4 in) from pump inlet (2).

At take-off performance the indicated vacuum (3) must not be more than 0,3 bar (4,35 psi) otherwise the oil hose (1) could collapse and thus blocking the oil supply to the engine (See Fig 34).

- ▲ WARNING: The vacuum (3) must be verified over the total range of engine operation (pressure gauge filled with liquid). Specially on cold oil temperature the flow resistance increases, so that not enough oil can flow on suction side.



max. 0,3 bar below atmospheric pressure

08412

Fig. 34

13.3.2) Measuring of the pressure in the crankcase

Measure of the mean crankcase pressure at full load (blow-by gas pressure) responsible for proper oil return from crankcase to oil tank.

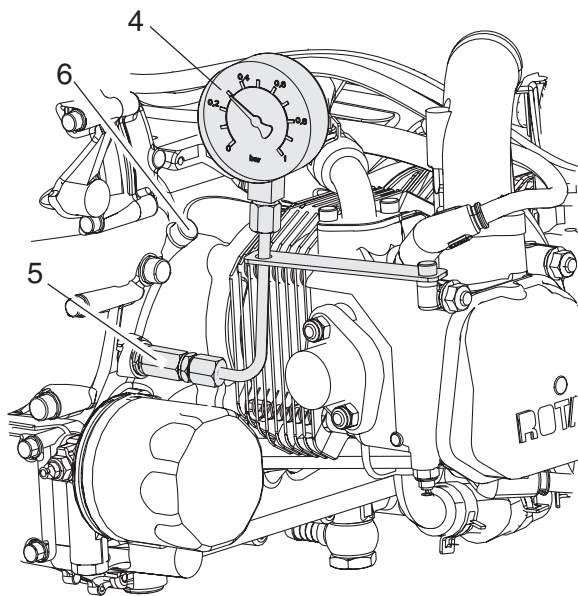
A pressure indicator (4) (pressure gauge with incorporated viscous damper) may be fitted instead of the magnetic plug (5) or the crankshaft locking screw (6) (see Fig. 35).

- ◆ **NOTE:** The connecting thread is M12x1,5 (metric) for the magnetic plug and M8 for the crankshaft locking screw (use always new gasket).

The pressure in the crankcase at full load must not exceed the prevailing ambient pressure by more than 0,45 bar (6.53 psi) at 90 °C (194 °F) oil temperature.

If both pressure readings are within the specified limits, under all operating conditions, the lubrication circuit should be working sufficiently.

- ▲ **WARNING:** If the readings exceed the pressure limits then the flow resistance of the oil backflow from oil sump to oil tank (contamination, restrictions of cross-section etc.) is too high. This condition is unsafe and must be rectified without delay.



max. 0,45 bar above atmospheric pressure

Fig. 35

08324

13.4) Requirements on the oil- and venting lines

Oil lines

Oil circuit, engine (main oil pump)

- Temperature durability: mind. 130 °C (266 °F)
- Pressure durability: mind. 10 bar (145 p.s.i.)
- Bending radius: mind. 70 mm (2.75 in) *
* unless otherwise stated by the hose manufacturer
- Minimum inside dia. of oil lines in reference to total length

length up to... 1 m (3 '3")	min. 11 mm ø (.43")
length up to... 2 m (6' 6")	min. 12 mm ø (.47")
length up to... 3 m (10')	min. 13 mm ø (.51")
- Length of a single oil line: max. 3 m (118,11 in.)

Oil circuit, turbo charger (suction pump)

- Temperature durability: mind. 130 °C (266 °F)
- Pressure durability: mind. 10 bar (145 p.s.i.)
- Bending radius: mind. 70 mm (2.75 in)*
* unless otherwise stated by the hose manufacturer
- Minimum inside dia. of oil lines in reference to total length

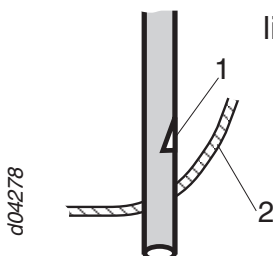
length up to... 1 m (3 '3")	min. 6 mm ø (.23")
length up to... 2 m (6' 6")	min. 7 mm ø (.27")

Vent line of oil tank

- Route the line without kinks and avoid sharp bends.
- ◆ **NOTE:** Water is a by-product of combustion. Most of this water will dissipate from the combustion chamber with the exhaust gases.
A small amount will reach the crankcase and has to be disposed through the vent line of oil tank via oil return line.
- The venting line must be routed in a continuous decline or furnished with a drain bore at it's lowest point to drain possible condensate.
- The vent line has to be protected from any kind of ice formation in the condensate. Protection by insulation, or routing in a hose with hot air flow or by furnishing vent line with a bypass opening (1) before passing through cowling (2). See Fig. 36.

Fig. 36

04874



d04278

BRP-Rotax

INSTALLATION MANUAL

Ölpumpe (inlet) (3): thread 3/4-16 UNF (AN-8)

Tightening torque of the inlet line:..25 Nm (18.5 ft.lb)

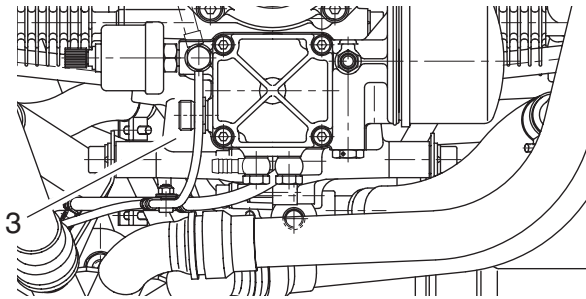


Fig. 39

02468

d04278

BRP-Rotax

INSTALLATION MANUAL

Oil return

- **CAUTION:** The engine design is for a conventional, non-aerobatic, fixed wing tractor or pusher type configuration with the oil return port in the optimum position. With this consideration the engine is properly lubricated in all flight profiles. Aircraft that are not conventional (e.g. airship, gyrocopters, dive brake equipped aircraft etc.) that require engine load in steeply incline and decline angles (see also sec. 8.1, point 12) may require special lubrication considerations.

According to propeller configuration choose the appropriate connection for the oil return line.

Position **1** for tractor or **2** for pusher configuration. See Fig. 40.

- connection with slip-on connection (1):

hose nipple (2) 10 DIN 7642
outside dia. 13,5 mm (.53 in)
slip-on length max. 24 mm (max. .94 in)

Tightening torque of banjo bolt (3) M16x1,5x28: 35 Nm (25.8 ft.lb)

- connection with screw connection (2) (optional):

thread 3/4-16 UNF (AN-8)

Tightening torque of oil return line: 25 Nm (18.5 ft.lb)

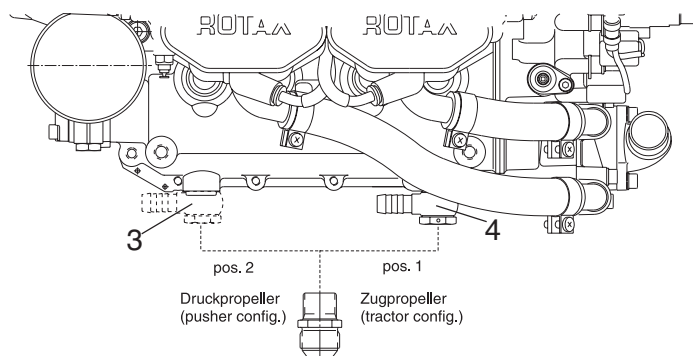


Fig. 40
09175

13.5.2) Oil circuit (turbo charger)

See Fig. 41.

Oil return

hose nipple (4) 4/6 DIN 7642

outside dia. 8 mm (.31 in)

slip-on length max. 20 mm (.79 in)

Tightening torque of banjo bolt (5) M10x1x19: 15 Nm (133 in.lb)

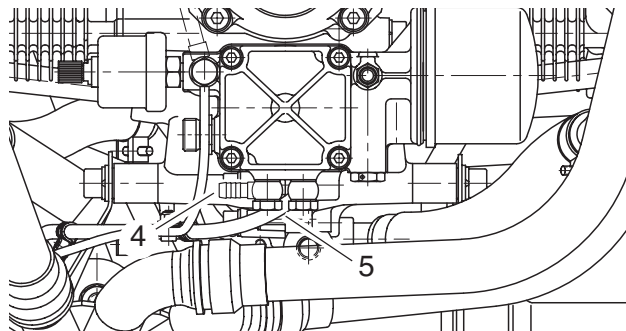


Fig. 41

02468

13.5.3) Oil tank

See Fig. 42 and 43.

The oil tank is furnished with 2 screw connections M18x1,5 and with a tapped hole (M10x1).

Connections for oil circuit (engine)

Oil inlet (6) and outlet (7) via standard swivel joint and connecting bend (8).

2x connecting bend 90° (8)

outside dia. 12 mm (.47 in.)
slip-on length max. 24 mm (.94 in.)
tightening torque 25 Nm (220 in.lb)

Oil inlet (6) and outlet (7) connection with screw connection (2) (optional):

thread3/4-16 UNF (AN-8)

Tightening torque of oil return line:.....25 Nm (18.5 ft.lb)

- **CAUTION:** The oil tank cap is additionally marked with the term
IN - oil inlet (6) from crank case
OUT - oil outlet (7) to oil cooler/oil tank. See Fig. 42.

1x venting nipple (9)

outside dia. 8 mm (.31 in.)
slip-on length max. 15 mm (.59 in.)

Connection for oil circuit (turbo charger)

hose nipple (10) 4/6 DIN 7642

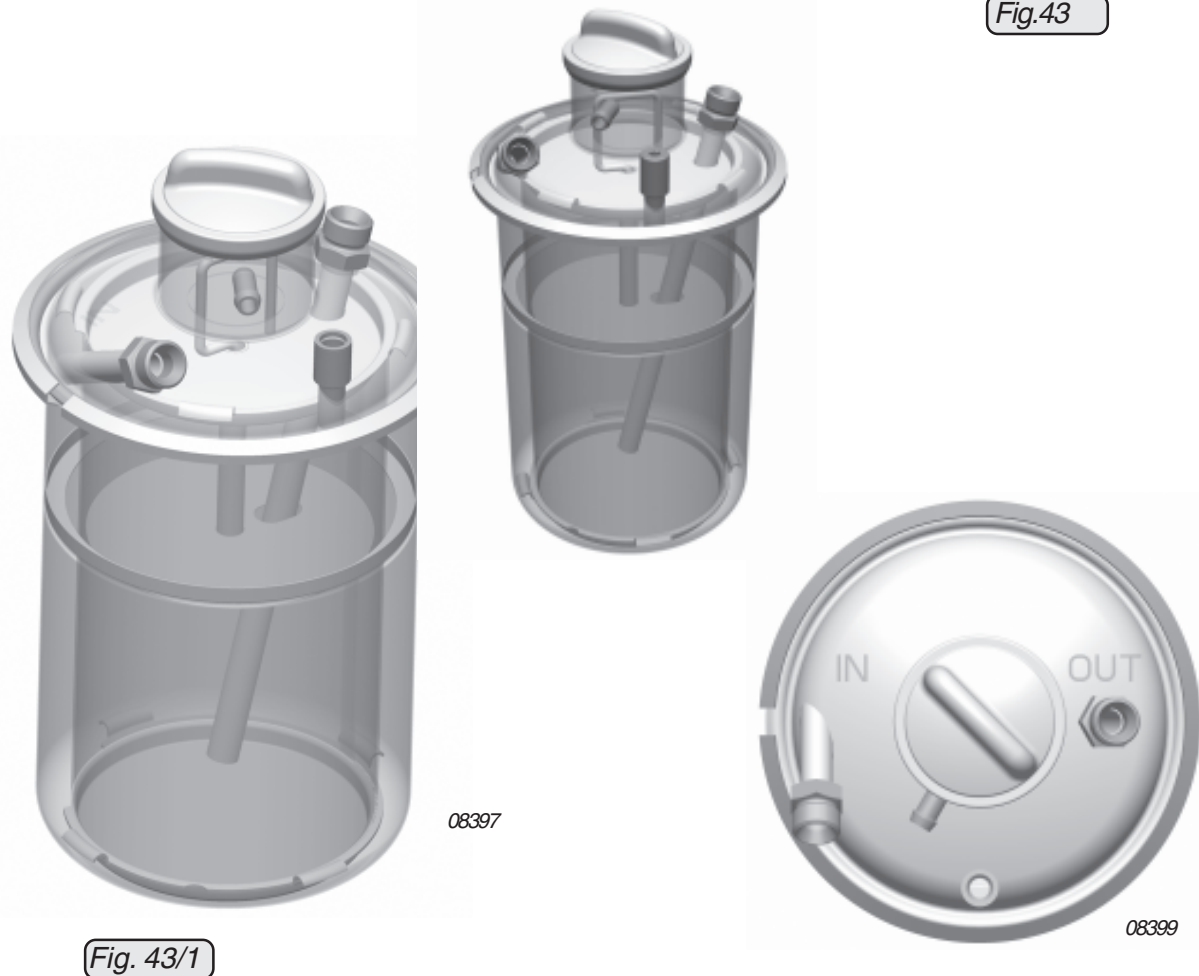
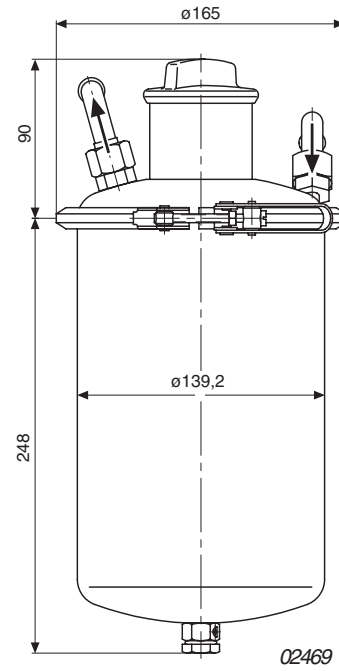
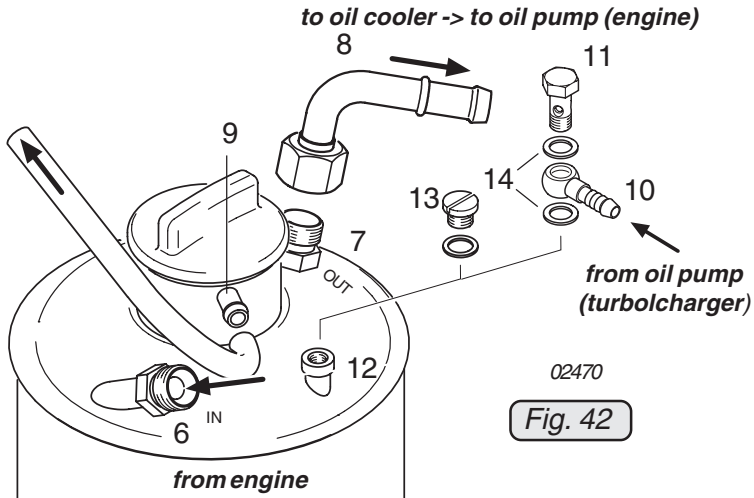
outside dia. 8 mm (.31 in.)
slip-on length max. 20 mm (.79 in.)
tightening torque of the banjo bolt (11) M10x1x19: 15 Nm (133 in.lb)

- ◆ **NOTE:** In the standard supply volume the connection (12) is closed by the plug screw (13).

This screw plug has to be removed and is replaced by the hose nipple (10), sealing ring (14) 10x14 DIN 7603 and banjo bolt (11).

BRP-Rotax

INSTALLATION MANUAL



d04278

13.6) Feasible position and location of the oil tank

See Fig. 44.

- The longitudinal axis z3 to be parallel to z-axis of the system of coordinates.
Tolerated deviation of parallelism: $\pm 10^\circ$

◆ NOTE: Above notice is valid for both planes.

- The oil tank (1) has to be positioned in its z-axis such that the oil level (2) is always between 0 and -400 mm (-15.75 in.) on the z-axis.

◆ NOTE: The profile clamp of oil tank should be between 0 mm and - 360 mm (-14.17 in.) below the center line of the propeller shaft.

▲ WARNING: At higher location of the oil tank oil might trickle through clearances at bearings into crankcase during longer periods of engine stop. If fitted too low it might badly effect the oil circuit.

- Install the oil tank free of vibrations and not directly to the engine.
- Oil tank cover (3) and oil drain screw (4) to be easily accessible.

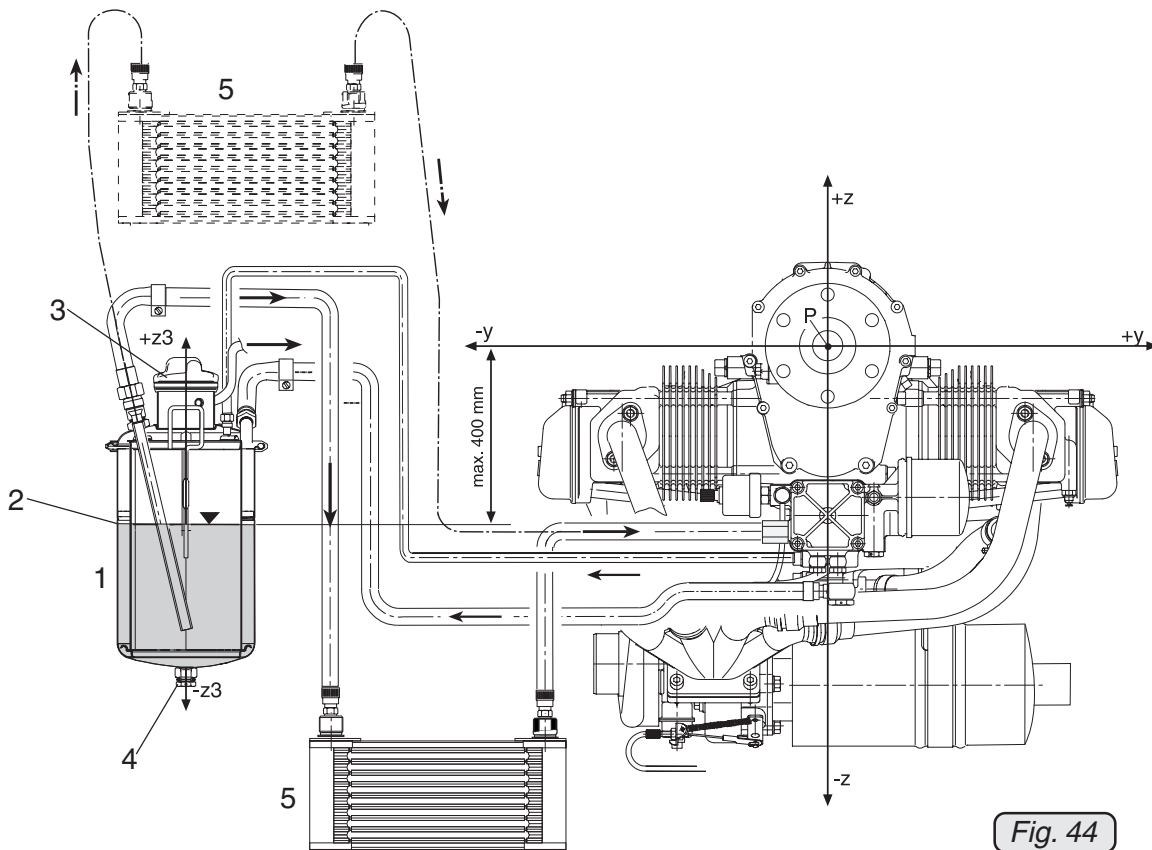


Fig. 44

08410

d04278

13.7) Feasible position and location of the oil cooler

See Fig. 44.

- On principle the oil cooler (5) has to be installed below the oil pump of the engine.

■ **CAUTION:** The oil cooler has to be installed with connections upwards i.e. in positive direction on z-axis. This will prevent an unintentional draining of the oil cooler at longer engine stop.

- If this position is not practical, install also the oil cooler with connections upwards i.e. in positive direction on z-axis.

■ **CAUTION:** This will prevent an unintentional draining of the oil cooler at longer engine stop.

▲ **WARNING:** The oil cooler has to be planned and installed such that the specified operating temperatures are maintained and the max. values are neither exceeded nor fall below.

This state has to be warranted for "**hot day conditions**" too!

If need be, take appropriate measures like changing size of cooler, partial covering of cooler etc.

13.8) General notes on oil cooler

BRP-Rotax offers for this engine an oil cooler (see Illustrated Parts Catalog, latest issue).

▲ **WARNING:** Certification of this cooler to the latest requirements such as FAR or EASA has to be conducted by the aircraft manufacturer.

■ **CAUTION:** The oil cooler has to be designed to dissipate approx. 10 kW (8,5 BTU/s) heat energy at take-off power.

◆ **NOTE:** From years of experience we recommend an oil cooler size of at least 160 cm² (25 in²), provided that air flow is adequate.

■ **CAUTION:** The oil cooler must not restrict oil flow. Test system as per sec. 13.3.

13.9) Filling capacity

- Oil quantity **without** oil cooler and connecting lines min. 3 l (0,8 US gal) depending on the respective installation

Volume of oil tank

up to the MIN.-mark..... 2,5 l (0,66 US gal)

up to the MAX.-mark 3,0 l (0,8 US gal)

- Perform oil level check and add oil if necessary

d04278

13.10) Venting (purging or priming) of lubrication system

(see Fig. 45).

- Verify that oil tank connections are connected correctly and secured, and that the oil cooler is in the suction line (1) between the oil tank and the oil pump inlet. Verify that the oil tank is filled up to the maximum level (to the top of the flat portion of the dipstick). For the purpose of this purging procedure it is necessary to add 0.5 litre (1.05 liq pt) of oil.

■ **CAUTION:** Incorrectly connected oil lines to the oil tank or to the engine will result in severe engine damage.

- Disconnect oil line (2) at the oil tank connection.
- Place the free end (3) of the return oil line into a suitable container (4) below the engine.
- Plug open connection (5) at the oil tank with suitable air tight cap. See Fig. 29a.
- Remove the spark plug connectors.
- For easier rotation of engine remove the four top spark plugs.

■ **CAUTION:** Prevent entering of foreign substance through spark plug hole.

- Using a compressed air line, pressurise the oil tank through its breather connection (6) (on the neck of the tank). Adjust the compressor outlet regulator so that the air line pressure is between 0,4 (psi) and 1 bar (15 psi).

◆ **NOTE:** Oil tank cover is not designed to hold pressure. Some air will escape.

▲ **WARNING:** Do not remove oil tank or cover before ensuring that air pressure has been completely released from the tank.

- The pressure in the oil tank has to be maintained during the following step.

■ **CAUTION:** It is possible to empty the oil tank and as a result introduce more air into the oil system. Pay attention to the oil level and fill tank as required.

- Turn the engine in direction of normal rotation until the pressure rises on the oil pressure gauge. Normally this will take approx. 20 turns. Depending on installation it may take up to 60 turns.

■ **CAUTION:** Do not use starter for this purpose. Fit propeller and use it to turn engine.

- Release the pressure from the oil tank.

- Unblock the oil return port on (5) the oil tank and reconnect the engine return oil line (2) to the oil return port on the oil tank.
- **CAUTION:** Ensure that the oil suction line (1) and engine oil return lines (2) are connected to the proper fittings on the oil tank. If the oil lines from the engine to the oil tank are incorrectly connected at the oil tank, severe engine damage may result.
- Replace spark plugs and restore aircraft to original operation condition.
- Residual oil will have accumulated in the crankcase, return it to the oil tank by following the oil check procedures in Operators Manual (or SI-27-1997 Oil level check for ROTAX engine type 912 and 914 (Series), current issue).
- Add oil to engine oil tank to bring the oil level up to the full mark on the dipstick.
- ▲ **WARNING:** Carefully check all lubrication system connections, lines and clamps for leaks and security.

13.10.1) Venting (purging or priming) of turbocharger lubrication system

- ▲ **WARNING:** Observe the appropriate safety precautions. Make sure that there are no foreign items including tools in the engine compartment. Secure aircraft to the ground appropriately and place chocks under the wheels. Secure propeller zone to warrant safety for persons and property. Be sure to approach only from engine side of propeller. Permanently supervise engine operation from a secure position. The cockpit must be occupied during the testing by a licensed pilot or an authorized person to conduct test runs of an aircraft.

To verify operation of the turbo charger oil circuit detach the turbo sump oil return line (7) on the oil tank (banjo bolt M10x1x19) and route the line to a separate container. Start the engine in accordance to the relevant Operators Manual and observe if oil is being returned back.

If oil is not flowing back within 10 sec. stop the engine immediately and find the trouble. Repeat previous steps until proper oil flow is observed. The engine must not be started before rectification.

Fit the turbo sump oil return line (7) on oil tank and tighten to 15 Nm (133 in.lb).

- Restore aircraft to original operating configuration.

13.11) Inspection for correct venting (priming) of hydraulic valve tappets

(See Fig. 45)

The subsequent check procedure describes the correct method to verify adequate priming of hydraulic valve tappets.

■ **CAUTION:** Engine has reached operating temperatures here. Use appropriate safety equipment and clothing.

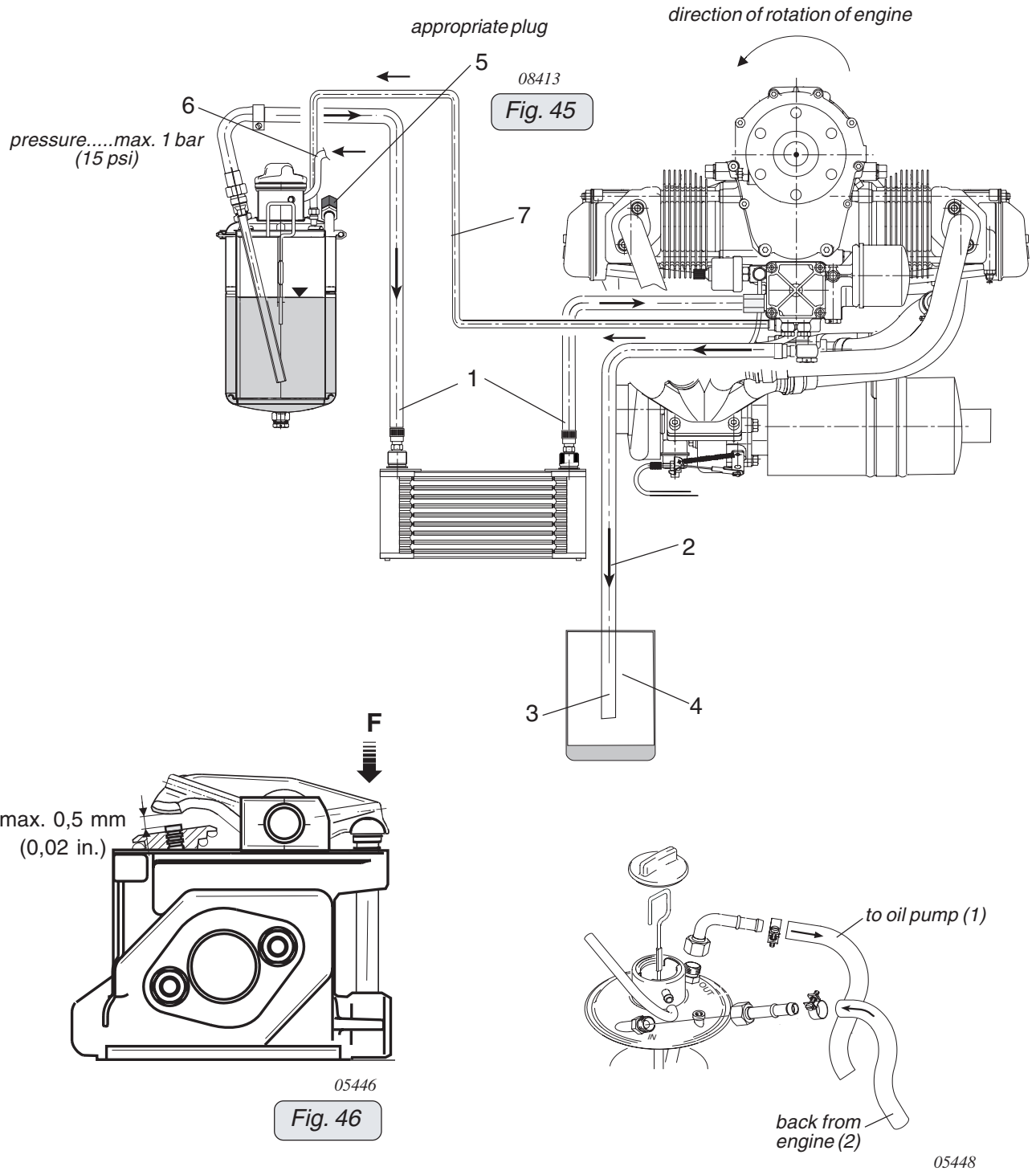
- Remove valve cover on cylinder 1.
- Turn crankshaft direction in of normal rotation so that the piston on cylinder 1 is on ignition top dead center (both valves are closed).
- Press on push rod side of rocker arm with a force (F) of about 70 N (15.0 lbf.) for about 3 sec. Approximate force can be verified with a fan belt tester. Repeat on other rocker arms.
- Check distance between rocker arm and valve contact surface. Max. allowable distance 0,5 mm (0,02 in.).
- Repeat on all other cylinders.

■ **CAUTION:** If it is possible to push the valve tappets further than this limit, an additional engine run for about 5 min. at 3500 rpm after refitting the valve covers is necessary. To get the hydraulic valve tappets primed, this process can be repeated another 2 times.

13.12) Replacement of components

If a malfunction of hydraulic valve tappet should be found during this check of priming process, the relevant hydraulic valve tappet has to be replaced and the valve spring support has to be inspected for wear.

All work has to be performed in accordance with the relevant Maintenance Manual.



d04278

13.13) Data for optional components of oil system

- oil radiator

See Fig. 47.

- weight: see section 8.

variants of connectors:

adaptor UNF (1):

thread 3/4-16 UNF (AN-8)

Tightening torque:..... 22 Nm (195 in.lb) and LOCTITE 243.

Tightening torque of oil inlet and outlet:..... 25 Nm (18.5 ft.lb)

■ CAUTION: Counterhold on adaptor at installation of an oil line.

nipple (2):

outside dia 13,2 mm (0.52 in.)

slip-on length max. 21 mm (0.83 in.)

Tightening torque:..... 22 Nm (195 in.lb) and LOCTITE 243.

adaptor metric (3):

thread M18x1,5

Tightening torque:..... 22 Nm (195 in.lb) and LOCTITE 243.

Tightening torque of oil inlet and outlet, bend socket or hose nipple:

..... 25 Nm (18.5 ft.lb)

■ CAUTION: Counterhold on adaptor at installation of an oil line.

angular tube (4) (90° nipple):

outside dia 13,2 mm (0.52 in.)

slip-on length max. 21 mm (0.83 in.)

Tightening torque:..... 22 Nm (195 in.lb) and LOCTITE 243.

bent socket (5) (90° socket):

outside dia 12 mm (0.47 in.)

slip-on length max. 24 mm (max. 0.94 in)

Tightening torque:..... 25 Nm (18.5 ft.lb)

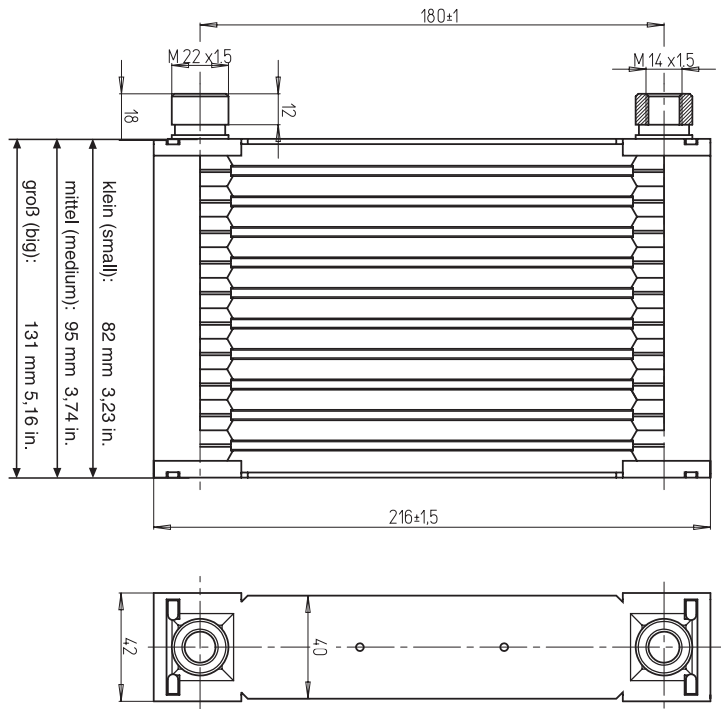
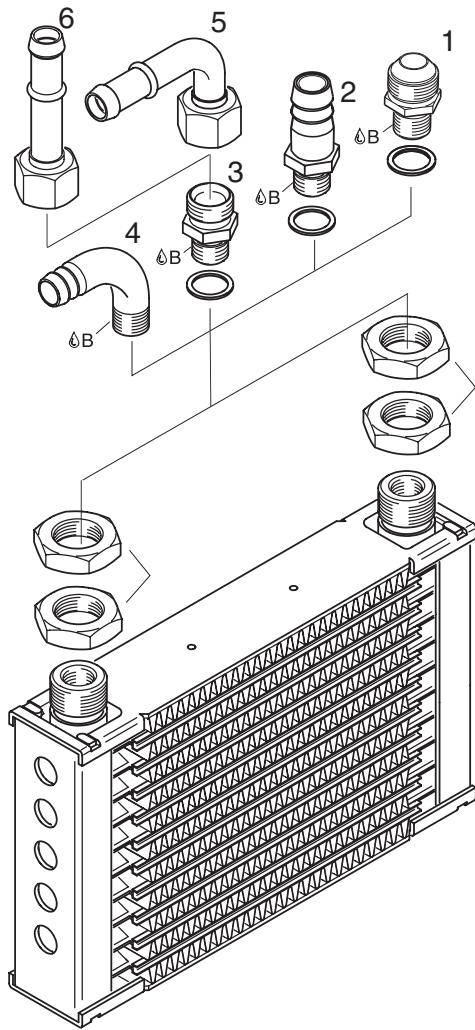
hose nipple with union nut (6) (straight socket):

outside dia 12 mm (0.47 in.)

slip-on length max. 24 mm (max. 0.94 in)

Tightening torque:..... 25 Nm (18.5 ft.lb)

d04278



04910

Fig. 47

ΔB: LOCTITE 243

BRP-Rotax
INSTALLATION MANUAL

NOTES

d04278

14) Fuel system

14.1) Description of system

See Fig. 48.

The fuel flows from the tank via a coarse filter/water trap (1) to the two electric fuel pumps (2) with 2 check valve (6) connected in series. From the pumps fuel passes on via the fuel pressure control (3) to the two carburetors.

Via the return line (5) surplus fuel flows back to the fuel tank and suction side of fuel system.

◆ **NOTE:** The fuel pressure control ensures that the fuel pressure is always maintained approx. 0,25 bar (3,6 p.s.i.) above the variable boost pressure in the "airbox" and thus ensures proper operation of the carburetors.

On the standard version of the engine the fuel lines from fuel pressure control to the carburetors are already installed.

The fuel system from tank to the fuel pressure control has to be installed by the aircraft manufacturer.

The fuel system includes the following items:

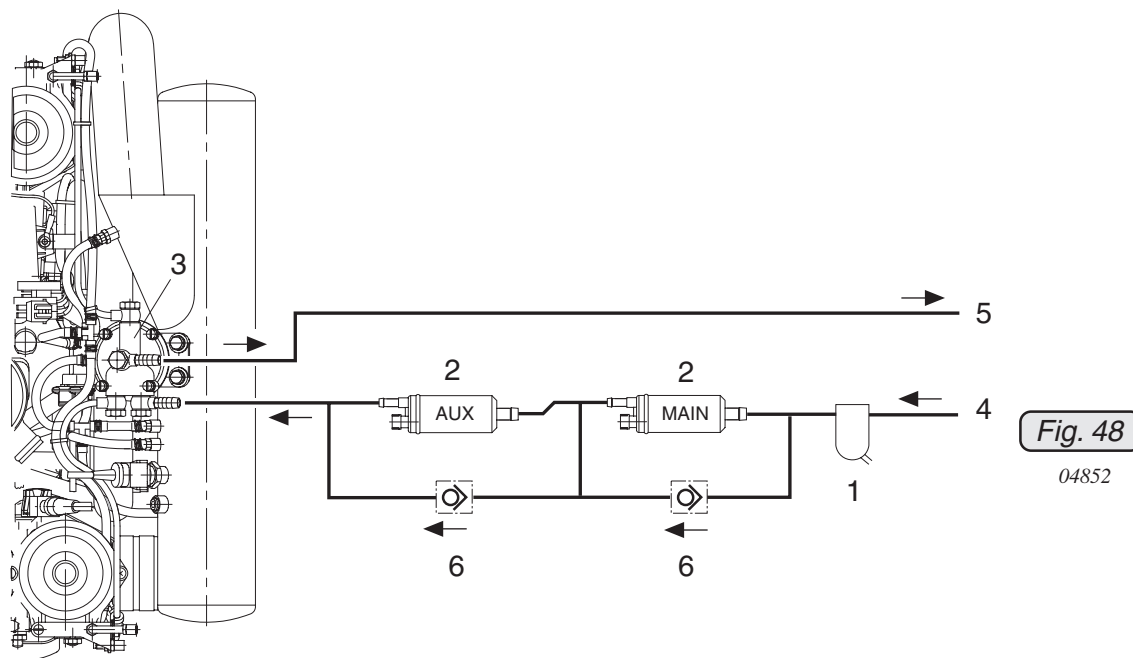
- tank
- coarse filter
- fine filter/watertrap
- fuel shut off valve
- 2 electric fuel pumps
- as well as the required fuel lines and connections

BRP-Rotax

INSTALLATION MANUAL

legend:

- (1) fine filter/watertrap gascolator
- (2) 2 x electric fuel pump
- (3) fuel pressure control
- (4) feeding line from tank
- (5) return line to tank
- (6) 2 x check valve



Only the following connections per Fig. 48 have to be established:

- Feeding lines to suction side of the electric fuel pumps (2)
- Lines from pressure side of the electric fuel pump to inlet of fuel pressure control (3)
- Returnline from fuel pressure control to fuel tank

14.2) Operating limits

▲ **WARNING:** Design and layout of the fuel system has to warrant engine operation within the specified limits.

Fuel pressure:

- max.airbox pressure + 0,35 bar (5 p.s.i.)
- min.airbox pressure + 0,15 bar (2,2 p.s.i.)
- nominal.airbox pressure + 0,25 bar (3,6 p.s.i.)

The fuel pressure of the electric fuel pump must not exceed the manifold pressure by more than 0,35 bar (5 p.s.i.)

▲ **WARNING:** Fuel pressure in excess of stated limit can lead to an override of the float valve with subsequent engine stop.

◆ **NOTE:** On the standard engine no connection is provided for measuring the fuel pressure. See section 14.5.

14.3) Requirements of the fuel system

- **Fuel lines:** See Fig. 48.

▲ **WARNING:** Fuel lines have to be established to the latest requirements such as FAR or EASA by the aircraft manufacturer.

■ **CAUTION:** The fuel return (5) must be a line of low flow resistance. Max. tolerated pressure loss is **0,1 bar** (1,5 p.s.i.) between fuel pressure control and tank inlet with **both** electric fuel pumps in action. Otherwise the carburetors could flood.

Secure fuel hoses with suitable screw clamps or by crimp connection.

■ **CAUTION:** For prevention of vapour locks, all the fuel lines on the suction side of the fuel pump have to be insulated against heat in the engine compartment and routed at distance from hot engine components, without kinks and protected appropriately.

At very critical conditions e.g. problems with vapour formation the fuel lines could be routed in a hose with cold air flow.

- **Fuel filter:** See Fig. 48.

Coarse filter: on fuel tank as per valid certification

Fine filter: in the feed line from tank to the 2 fuel pumps an additional fine filter with meshsize 0,1 mm (.004 in.) has to be provided.

The filter has to be controllable for service. A combination of filter/watertrap (gascolator) is recommended.

- **water trap:**

A suitable water trap must be installed at the lowest point of the fuel feed line.

- **Fuel temperature:**

To avoid vapour locks keep the temperature of the fuel lines, float chamber and related devices below 45 °C (113 °F)

In case of temperatures over 45 °C (113 °F) in the vicinity of fuel lines watch for vapour lock.

If you should encounter problems in this respect during the test period, than the affected components such as the supply line to the fuel pumps have to be cooled.

14.4) Connecting dimensions, location of joints and directives for installation

14.4.1) Electric fuel pump

See outline of fuel pump (2), Fig. 48, 49 and 50.

Design: self priming vane pump

Volume of supply: electric fuel pump with attachment kit, 2 hose clamps and various attachment elements

Weight: 0,35 kg (.8 lb) inclusive attachment items

Fitting position: horizontal or vertical

Engine start, operating temperature: -25 °C (-13 °F) - 50 °C (120 °F)

Connections: See Fig. 49.

Inlet (1) (suction side)

Outlet (2) (pressure side)

■ CAUTION: Utilize the complete slip-on length on all hose connections. Secure fuel hoses with suitable spring type clamp or screw clamp.

Delivery rate/pressure : See diagram Fig. 50.

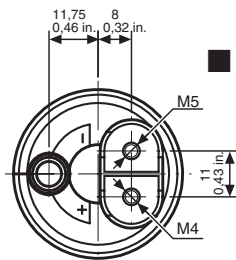


Fig. 49
02473

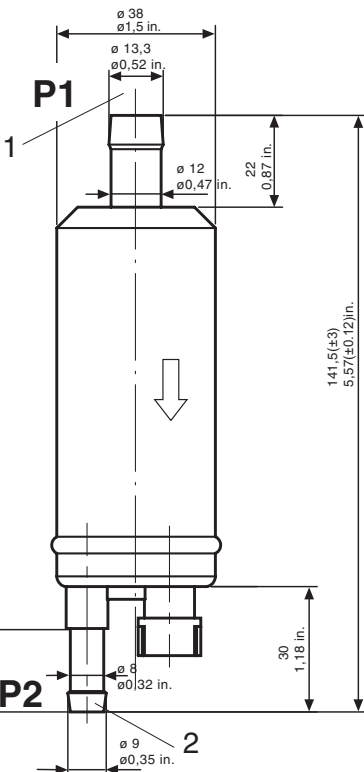
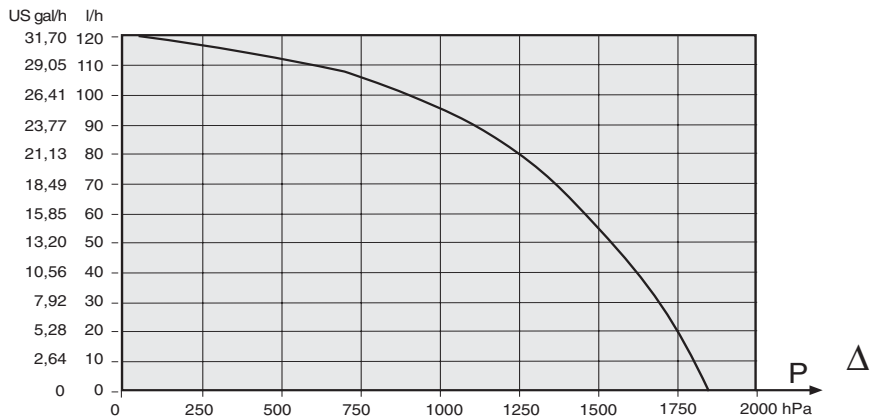


Fig. 50
05085



$$\Delta P = P_2 - P_1$$

The diagram shows the delivery rate of the electric fuel pump over pressure.

Take note of the following:

- diagram outlines min. capacity at nominal voltage on pump
- pressure and suction head are "ZERO"
- graph is effective on the seasoned pump only, running-in period approx. 30 min.

◆ NOTE: A capacity increase of approx. 20% is feasible by running-in process.

d04279

BRP-Rotax

INSTALLATION MANUAL

- CAUTION: Employ GENUINE-ROTAX fuel pumps only. Non-compliance will release BRP-Rotax from any liability.

Place of installation:

- Installation of the fuel pumps principally near the fuel tank to gain advantage of a cool location, especially important at tendency of vapour locks.
- Install the pump in low position, if possible below fuel tank, free of vibrations. Therefore, fuel pump attached directly on the engine is not permitted.

Max. suction head 250 mm (10 in).

- ▲ WARNING: Certification to the latest requirements such as FAR or EASA has to be conducted by the aircraft manufacturer.

Because of the risk of steam vapour formation on the suction side of the pumps and other safety reasons is the pump installation not permitted in the engine compartment.

- ▲ WARNING: **Installation of the fuel pumps in the engine compartment and in the cockpit is not permitted since the fuel pumps are not of a fire resistant construction.**

- ▲ WARNING: Should the situation arise, certification to the latest requirements such as FAR or EASA would have to be conducted by the aircraft manufacturer.

- If possible the fuel pump should be installed in such a way that it is easily accessible for maintenance (so that the fine filter (1) can be checked according to the maintenance schedule)

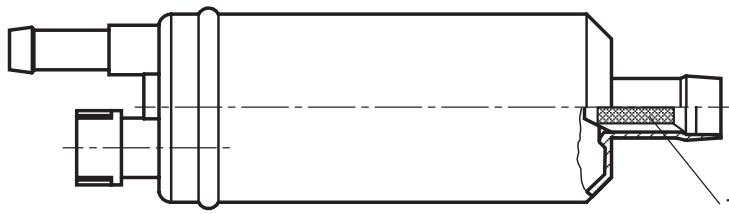


Fig. 50/1
00157

d04279

14.4.2) Check valve

Specification:

- opening pressure 0,1-0,15 bar
(1,5 p.s.i. - 2,2 p.s.i.)
- permitted pressure in reverse-biasing 2 bar (29 p.s.i.)
- burst pressure 5 bar (72,5 p.s.i.)

14.4.3) Fuel pressure control

See outline of fuel pressure control (3), Fig. 48 and Fig. 51.

Connections: **inlet (1)** (feed line from fuel pumps) and
outlet (2) (fuel return to tank)

- hose nipple 4/6 DIN 7642
- outside dia. \varnothing 8 mm (5/16")
- slip-on length max. 20 mm (3/4")

tightening torque of the
banjo bolts (3) M10x1x19: 15 Nm (133 in.lb)

■ **CAUTION:** Utilize the full slip-on length at hose joints. Secure hose with suitable screw clamp or by crimp connection.

◆ **NOTE:** The control of the fuel pressure is achieved by a valve activated from a diaphragm. Reversion pressure is the boost pressure in the airbox.

Any **arrows** shown on top of the fuel pressure control are of no significance for this application.

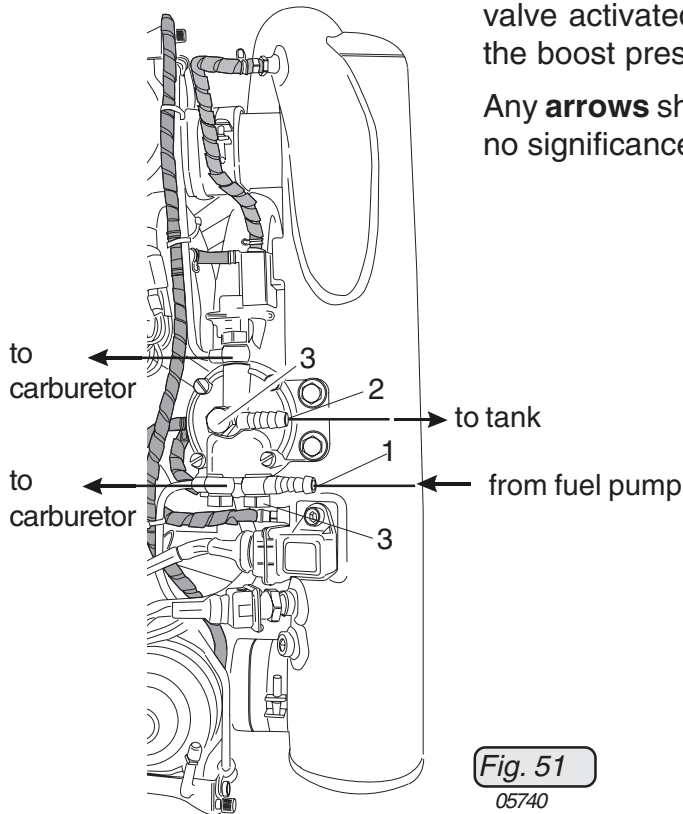


Fig. 51

05740

d04279

14.5) Notes on checking of fuel pressure

See Fig. 52.

There is no standard connection provided to measure the full pressure. For general observation and at engine troubles fuel pressure readings would be helpful.

A feasible connection would be an additional hose nipple $4/6$ (1) joined to the fuel line (2).

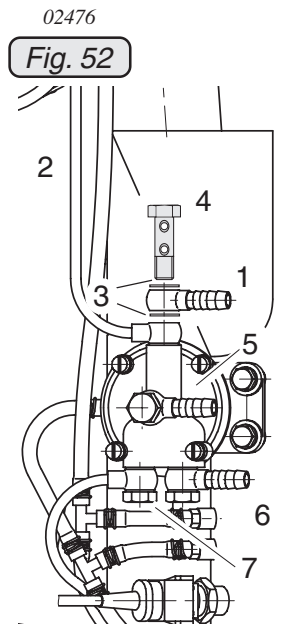
- remove banjo bolt M10x1x19. Fit additional hose nipple (with integrated orifice) (1) and 2 sealing rings (3) by use of a longer banjo bolt (4) M10x1x30.

Tightening torque of the banjo bolt: 15 Nm (133 in.lb).

■ **CAUTION:** At tightening of the fuel lines (2) support the specific line, to prevent any internal stresses.

◆ **NOTE:** The Fig. 34 shows the additional ring hose nipple connected to fuel line of carburetor $1/3$ (1). This ring hose nipple may be also fitted on the fuel line $2/4$ (7), but not on the **outlet** (5) and inlet (6).

All the necessary items are available as spare parts.



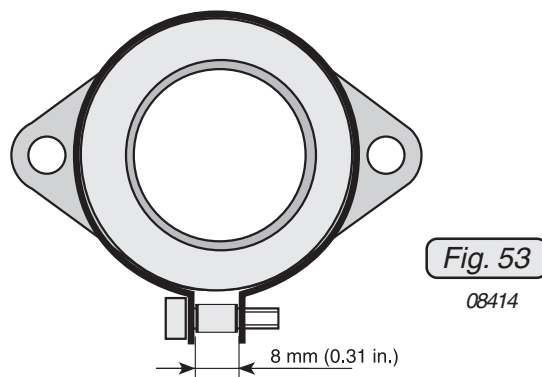
15) Carburetor

See Fig. 53.

The carburetors on the standard engine are already attached by a flexible flange. Only connections of the Bowden cable for throttle and starting carb have to be established.

It is recommended, to make the adjustment of the Bowden cable after engine installation has been completed, to ensure exact final adjustment.

- **CAUTION:** In case this has not been taken care of, verification of the throttle position is required prior to the trial run. Refer to section 15.5.



15.1) Requirements on the carburetor

See Fig. 54.

The carburetors are positioned above the exhaust sockets. Below the carburetors one each drip tray (1) with a draining connection (2) is fitted which serves as a heat shield as well.

- ▲ **WARNING:** In the area of the float chamber the temperature limit of the fuel must not be exceeded.

If necessary install additional insulation or heat shields. Certification to the latest requirements such as FAR or EASA has to be conducted by the aircraft manufacturer.

15.1.1) Drainage pipelines to airbox and trip tray

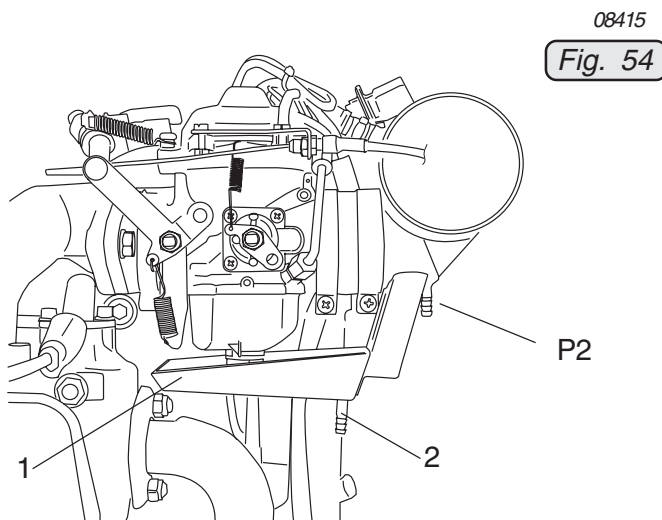
▲ **WARNING:** Connect drainage lines well, otherwise emerging fuel from a possible leakage could drip onto the exhaust system. **RISK OF FIRE!**

- The lines have to be routed such that in case of a damage the surplus fuel is drained off suitably.
- Route the lines without kinks and avoid tight bends
- Route the lines with a continuous decline.
- The lines have to be protected against any kind of blockage e.g. by formation of ice.

■ **CAUTION:** With closed or blocked leakage piping, fuel could end up on exhaust system. **RISK OF FIRE!**

Connecting nipple (2) and (P2) for leakage line

outside dia. \varnothing 6 mm (1/4")
slip on length max. 17 mm (11/16")



15.2) Connections for Bowden-cable actuation and limit load.

See Fig. 55/56.

- connection for throttle actuation (1)

connection on throttle lever:	set screw M 5x12 tightening torque: 4 Nm (35 in.lb) (suitable for 1,5 mm (.06 in.) steel wire)
-------------------------------	--

action travel:	65 mm (2 1/2")
----------------	----------------

actuating force:	min. 1,5 N (.3 lb) max. 8 N (1,8 lb)
------------------	---

limit load:	20 N (4,5 lb)
-------------	---------------

- ◆ **NOTE:** Throttle opens by spring.

- connection for starting carb (choke) actuation (2)

connection on choke lever:	clamping nipple 6 (suitable for 1,5 mm (.06 in.) steel wire)
----------------------------	---

action travel:	23 mm (15/16")
----------------	----------------

actuating force:	min. 10 N (2,2 lb) max. 45 N (10 lb)
------------------	---

limit load:	100 N (22 lb)
-------------	---------------

Directive for choke actuation

The choke shaft (3) is marked (4). This mark has to point towards cable engagement (5).

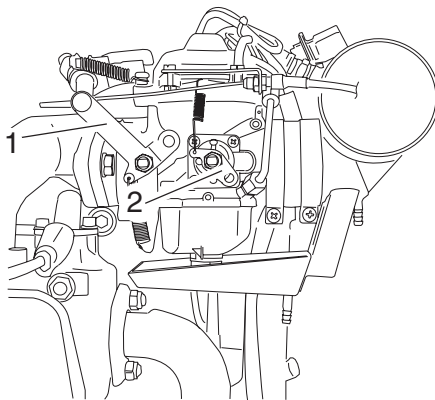
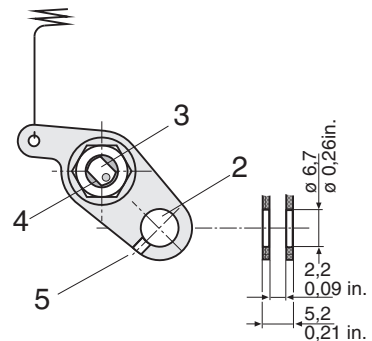


Fig. 55

08415



05089

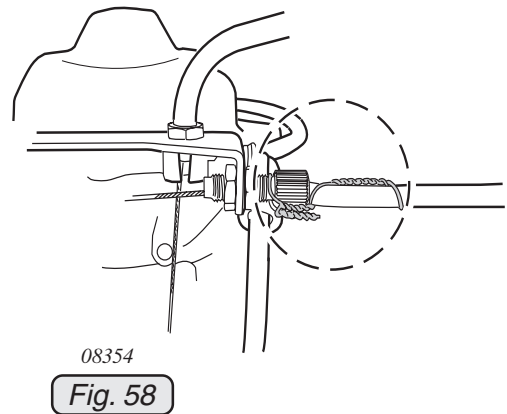
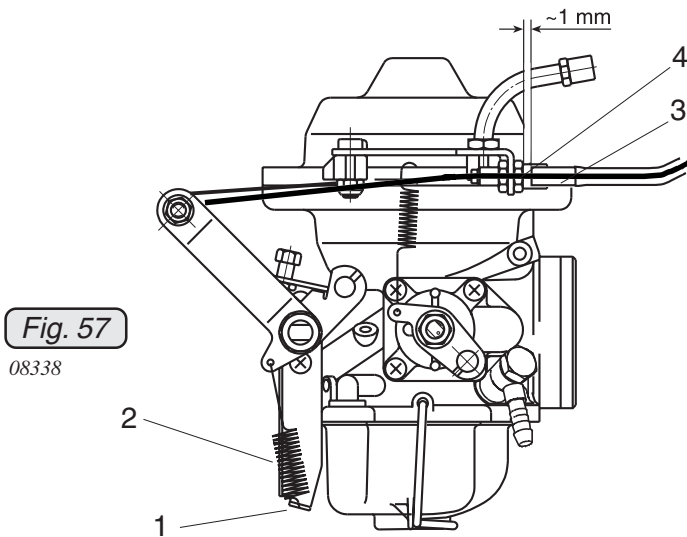
Fig. 56

15.3) Requirements on cable actuation

See Fig. 58.

The two throttles have to be controlled by two separate Bowden cables working synchronously.

Adjust the cables to a free travel of 1 mm (.04 in).



▲ **WARNING:** With throttle lever not connected the carb will remain fully open. **The home position of the CD-carburetor is full throttle!**
Therefore never start engine without connecting throttle lever first.

▲ **WARNING:** Route Bowden cable in such a way that carb actuation will not be influenced by any movement of engine or air frame, thus possibly falsifying idle speed setting and carb synchronisation.

Adjust Bowden cable such that throttle and choke can be fully opened and closed.

Use Bowden cable with minimized friction so that the spring on the throttle can open the throttle completely. Otherwise increase pre-tension of spring by bending lever flap (1) or fit a stronger return spring, (2) or a cable with pull-push action would have to be used.

Secure the bowden cable sleeves (3) in the adjustment screws (4) (e.g. safety wire)

15.4) Requirements on the throttle lever

See Fig. 59.

From throttle position 108 to 110 % the boost pressure rises rapidly and the throttle becomes very sensitive in this range. Therefore try to prevent operation in this small range or if setting for take-off performance pass this range quickly.

Consult also the section "electric system" for the description of the system.

For this reason it is recommended to assist the pilot with an visual/manual arrangement at setting for max. cruise performance.

A detent on your throttle lever at max. continuous power would be most suitable.

Provide this detent at throttle position 104% corresponding to 8 - 9 mm (5/16" - 11/32") travel before full throttle stop.

The sketch (Fig. 59) depicts a feasible arrangement.

The throttle lever is pressed onto throttle gate and comes to a stop at max. continuous power. Against the spring force the throttle lever will be released from the detent and can be moved further to take-off performance.

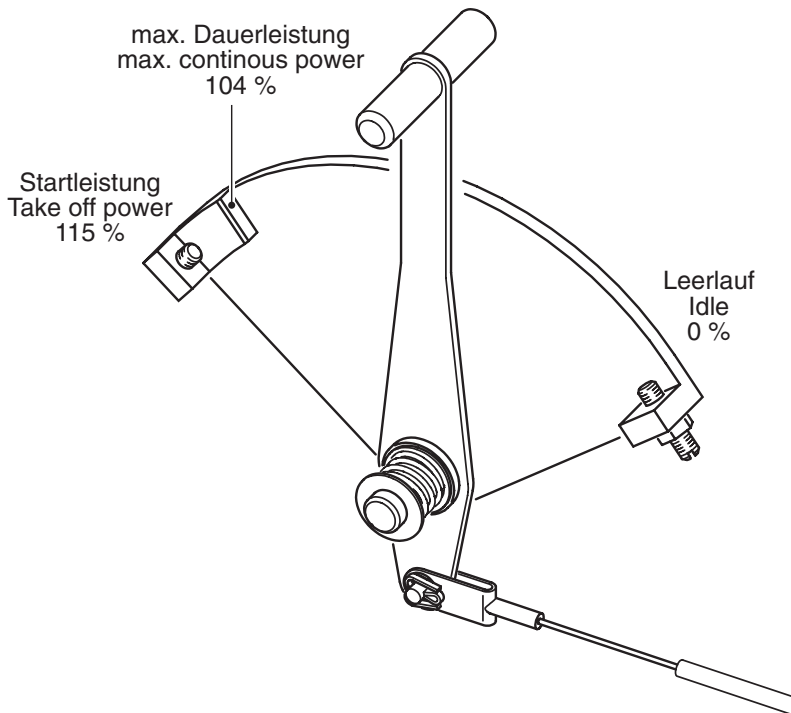


Fig. 59

07601

■ **CAUTION:** Adjustable positive stops for idle- and full throttle position are of course required.

These stops have to be designed such to render adjustability and to prevent overload of the idle stop on the carburetor.

15.5) Location and determination of the throttle position for max. continuous power

It is a necessity for trouble free engine operation that the pilot can locate the exact throttle position for max. continuous performance.

■ **CAUTION:** A manual determination (e.g. by a graduated disk) is not precise enough and therefore not permitted.

The exact determination is achieved electronically by a PC program especially developed for this engine.

For further details refer to the corresponding Maintenance Manual, section "Control system of the turbo charger".

16) Air intake system

See Fig. 60.

The pressure side intake system from turbo charger to the carburetors is included in the scope of supply. Only the airduct to turbo charger and drainage line of airbox have to be established.

16.1) Operating limits

Temperature in airbox:

max. intervention temperature 72 °C (162 °F)

*max. intervention temperature 88 °C (190 °F)

** 914 UL from S/N 4,420.200 (TCU part no. 966741 version.4.6)*

** 914 F from S/N 4,417.598 (TCU part no. 966471 version.4.5)*

Low air temperature in the airbox is favourable for engine performance and against knocking tendency at combustion. If need be install intercooler.

The certification to the latest requirements such as FAR and EASA has to be conducted by the aircraft manufacturer.

CO-Measurement:

CO-Emission min. 1,5 % CO at 5500 1/min. (Load 100 - 104 %)

CO-Emission min. 3,0 % CO at 5800 1/min. (Load 110 - 115 %)

Measured on each single cylinder. Measuring point is analog to EGT-measurement. See section "Exhaust system".

■ **CAUTION:** Any changes on the air intake system (e.g. modification on the airbox, usage of an intercooler etc.) can affect the flow rate in the air intake system and the fuel mixture ratio. In the course of certification the fuel mixture process must be proofed by a CO-measurement.

16.2) Requirements on the air intake system

▲ **WARNING:** Carb icing is a common reason for engine trouble. No implements are included in the supply volume for preheating of the intake air.

Because of the generated heat by turbo charging preheating of the intake air is possibly not necessary. But an alternate air door or flap that draws air from the engine compartment is recommended as the air filter could possibly close by formation of ice.

Door or flap must be in front of turbo charger (suction side)!

Preheating of the intake air will result in performance loss because of the lower air density.

▲ **WARNING:** All items of the air intake have to be secured against loss.

▲ **WARNING:** The certification to the latest requirements such as FAR and EASA has to be conducted by the aircraft manufacturer.

Air intake socket (1) on turbo charger

outside dia. \varnothing 60 mm (2 3/8")

slip-on length max. 25 mm (1")

■ **CAUTION:** Utilize the full slip-on length on all connection. Secure hoses by suitable spring type clamp or screw clamp.

16.2.1) Requirements on the intake air ducting

- max. length of ducting 500 mm (20 in.)
- min. inside dia. at least outside dia. of the intake socket on turbo charger
- min. mean bending radius 100 mm (4")

◆ **NOTE:** Compression process in the turbo charger will heat up air considerably, depending on pressure ratio. Usual temperature rise of 40 °C (104 °F) at take-off performance.

High engine performance needs air temperature as low as possible at turbo air intake. Therefore the air filter should be located in a recess of the engine cowling or separated from warm air by partitioning such that via an opening ambient air can be aspirated.

■ **CAUTION:** Air temperature above the limit will automatically reduce boost pressure with consequent performance loss. The automatic back off on boost pressure will protect the engine against damage from overstressing.

Notes regarding too high air temperatures in the air box:

If in case of high intake air temperature the max. air temperature in the airbox is frequently or permanently above the limit, the arrangement of air intake has to be improved or an intercooler has to be installed.

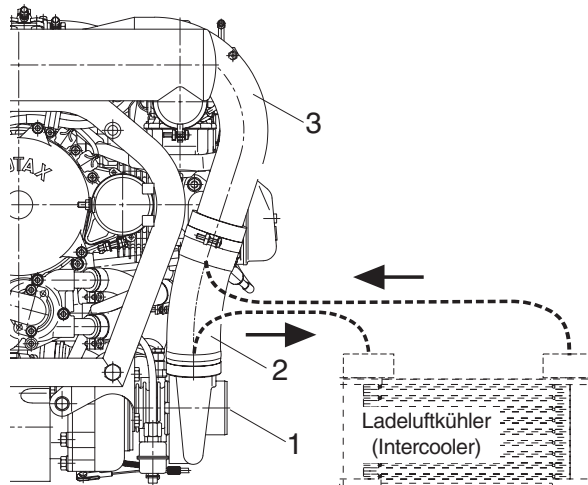
◆ **NOTE:** Intercooler is not in the supply volume.

Intercooler has to be installed between pressure side of turbo (2) and inlet (3) into airbox.

16.2.2) Requirements on the intercooler:

- a minimum flow rate of 300 m³/h (390 yd³/h) has to be warranted for all conditions
- the pressure loss must not exceed 15 hPa

■ **CAUTION:** No additional forces or moments are allowed on turbo charger or airbox, therefore the intercooler has to be supported independent and free of vibrations.



08416
Fig. 59

BRP-Rotax

INSTALLATION MANUAL

- CAUTION: Check the CO-emission when installing an intercooler and adjust the jetting if necessary.
- ▲ WARNING: The certification to the latest requirements such as FAR and EASA has to be conducted by the aircraft manufacturer.

16.2.3) Airfilter

- CAUTION: A minimum flow rate of 300 m³/h (220 cfm) has to be warranted for all conditions.
The pressure loss must not exceed 5 hPa.
- ▲ WARNING: Use only filter elements which will not tend to restrict the flow when in contact with water.

BRP-Rotax offers an air filter as described below.

- ▲ WARNING: The certification to the latest requirement such as FAR and EASA has to be conducted by the aircraft manufacturer.

The following points should assist the aircraft manufacturer at the choice of a suitable filter.

- four fold cotton fabric
- face covered with metal screen
- total filter area at least 1400 cm² (220 in²)

16.2.4) Airbox

See Fig. 61.

The airbox is furnished with 2 drain holes at the lowest position possible.

The holes are necessary to drain fuel from flooding float chambers caused by badly closing float valve.

- ◆ NOTE: This drain bores are very small (1,5 mm (1/16") dia.). Compensation of process conditions is taken care of by the TCU.

BRP-Rotax

INSTALLATION MANUAL

Drainage lines:

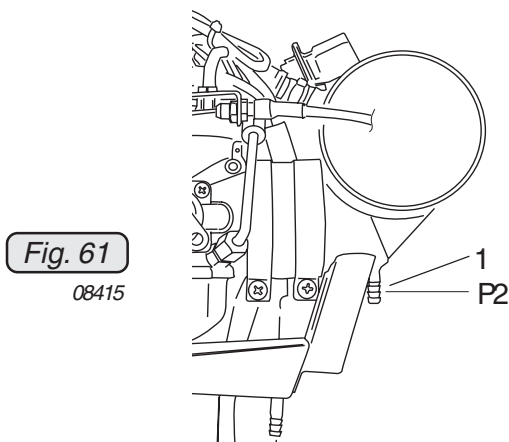
- ▲ **WARNING:** Connect draining lines without fail, otherwise emerging fuel could drip onto the exhaust system. **RISK OF FIRE!**
 - The lines have to be routed such that in case of damage the surplus fuel is drained away suitably.
 - Route the lines without kinks and avoid narrow bends.
 - Route the lines with a continuous decline.
 - The lines have to be protected against any kind of blockage e.g. by formation of ice.
- **CAUTION:** With closed or blocked drainage bores fuel could flow into combustion chamber, possibly ruining the engine by hydraulic lock.
RISK OF FIRE!!

Connecting nipple (1) of drainage line

outside dia. \varnothing 6 mm (1/4")
slip-on length max. 17 mm (11/16")

- **CAUTION:** Utilize the complete slip-on length. Secure hoses by suitable screw clamps or by crimp connection.

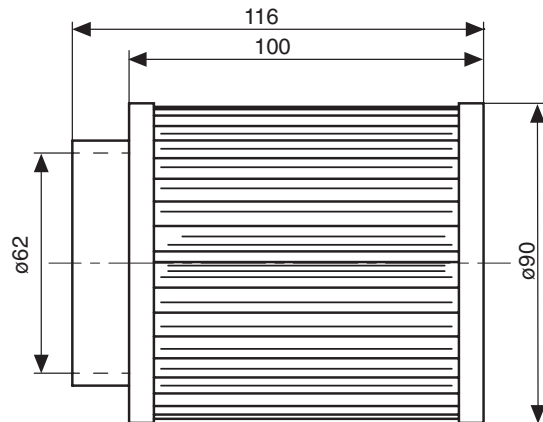
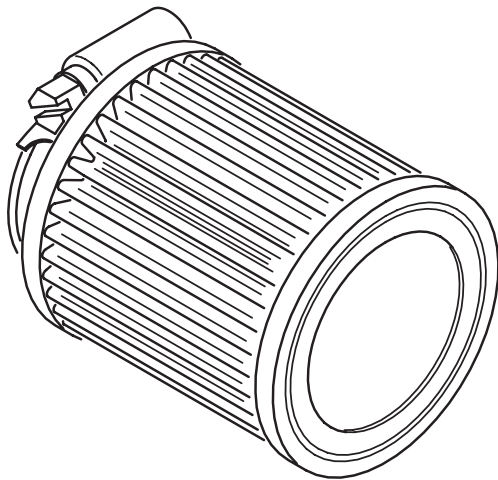
Location of connecting nipple P2:



04878 connecting nipple	axis		
	x-axis mm	y-axis mm	z-axis mm
cylinder side 1/3	-568	-180	-20
cylinder side 2/4	-590	180	-20

16.3) Additional notes concerning air intake system

- Air filter
See Fig. 62.
- Weight: see sec. 8



09149

Fig. 62

17) Pressure sensors

See Fig. 63/64.

2 pressure sensors are included in the supply volume of the engine and connected by plugs with the wiring harness.

▲ **WARNING:** Since a failure of pressure interconnections (1) of airbox, float chambers, fuel control and pressure sensor would possibly result in an **engine stop** all these interconnections have to be made very carefully.

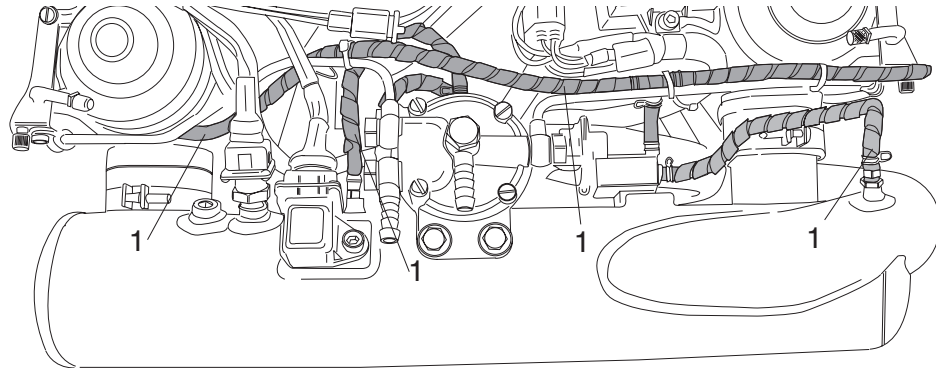


Fig. 63

05740

◆ **NOTE:** To avoid any mix-up of pressure sensor wiring, plug connections are colour coded.

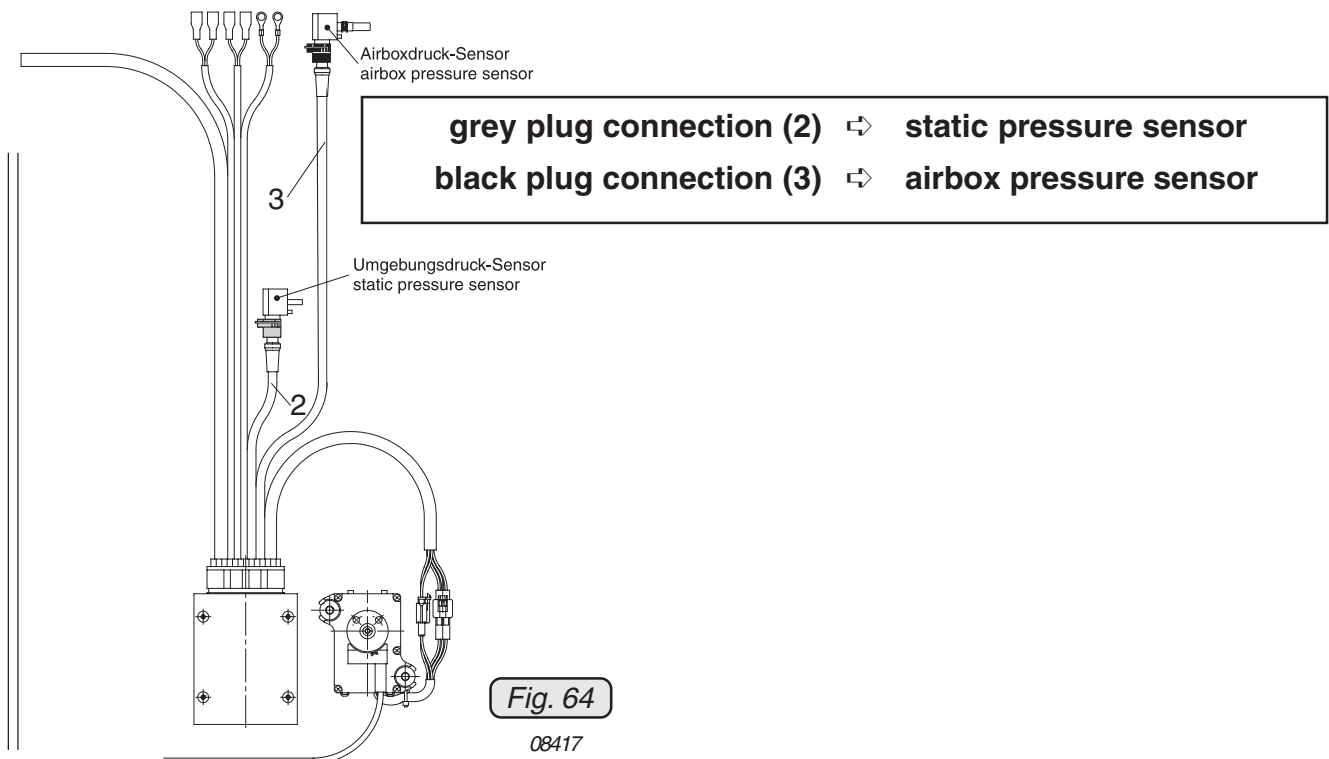


Fig. 64

08417

d04281

17.1) Static pressure sensor

See Fig. 65.

- effective range: 100 - 1200 hPa
- deviation: max. ± 40 hPa
- operating temperature: min. - 40 °C (-40 °F)
- max. +125 °C (257 °F)
- dimensions and attachment: see sketch (Fig. 65)
- fitting position:

The pressure connection (Pos. (3) Fig. 65) points downwards to prevent possible condensate from entering the sensor, i.e. the longitudinal axis z4 has to be parallel to z-axis in system of coordinates.

tolerated deviation of parallelism: $\pm 60^\circ$

- location of installation:
vibration neutralized installation in a stable zone, e.g. in cockpit.

In the area of the pressure pick-up approx. the same atmospheric pressure (static air pressure) has to prevail as at inlet of turbo charger.

■ CAUTION: Remove protective cap before operating the sensor.

■ CAUTION: The pressure connection has to be protected against entering of foreign matter e.g. oil, fuel, water etc.

◆ NOTE: Location of installation is limited by the length of the wiring harness.

- length of cable assy.: approx. 250 mm (10 in.) from TCU.

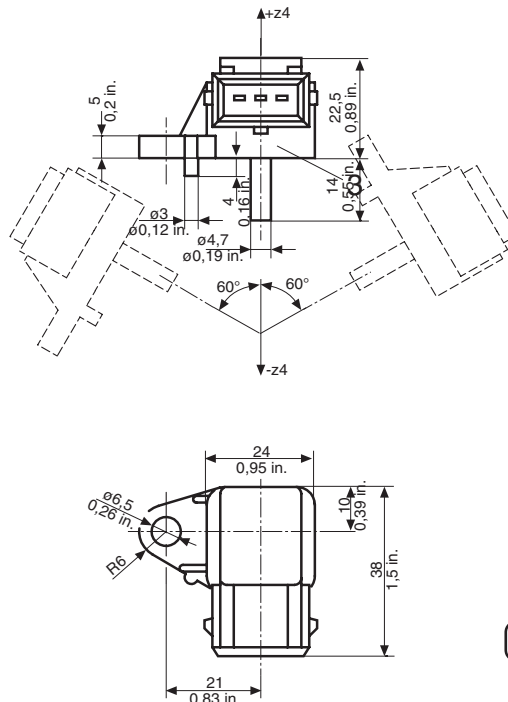


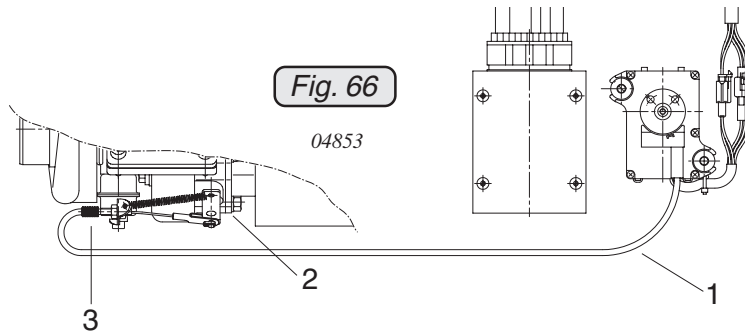
Fig. 65
05091

d04281

18) Servo motor/Servo cable

See Fig. 66/67.

The correct adjustment of the servo cable (1) and consequently the waste gate (2) was made already on the course of the testrun at BRP-Rotax.



18.1) Servo motor

Prior to engine operation check the position of the waste gate as follows:

▲ **WARNING:** Engine stop - ignition "OFF".

- Check of the waste gate accordance with the Maintenance Manual 914 F.

Additionally, only the actual attaching of the servo motor has to be performed.

- operating temperature:
min. - 20 °C (- 4 °F)
max. +60 °C (140 °F)
- dimensions and attachment:
see sketch (Fig. 67)
- location of installation:
vibration neutralized place

▲ **WARNING:** Installation in the engine compartment is not permitted since the servo motor is not of a fire resistant construction.

A recommendable location is in the cockpit below the instrument panel.

◆ **NOTE:** Place of installation is limited by the length of the servo cable.

- location of installation:
approx. 1000 mm (40") from waste gate

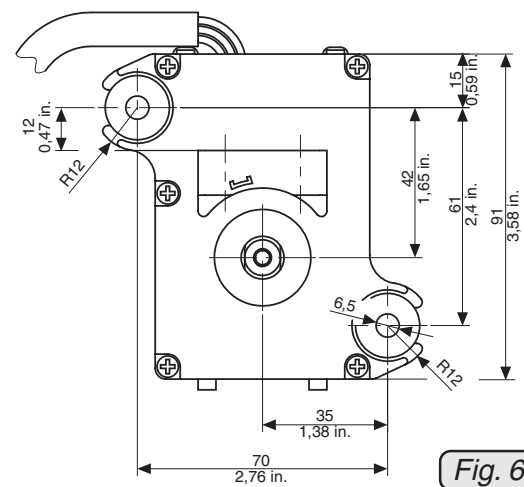
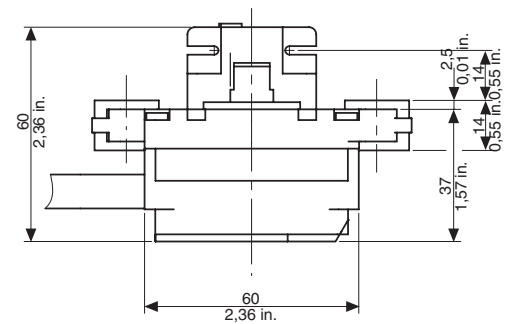


Fig. 67
02494

BRP-Rotax

INSTALLATION MANUAL

18.2) Servo cable

- bending radius: min. 50 mm (2")

Following temperatures must be measured on the positions set out in figure 51a and must **not** be exceeded during take-off and after engine stop (heat accumulation).

Pos.	Description	Temperature
(1)	cable conduit	max. 120 °C (250 °F)
(2)	cable support	max. 120 °C (250 °F)
(3)	wire rope	max. 140 °C (284 °F)

■ CAUTION: All temperature limits must be verified at the first time of installation of the ROTAX 914 into an airframe, or at any modification of the airframe as it may influence such temperatures.

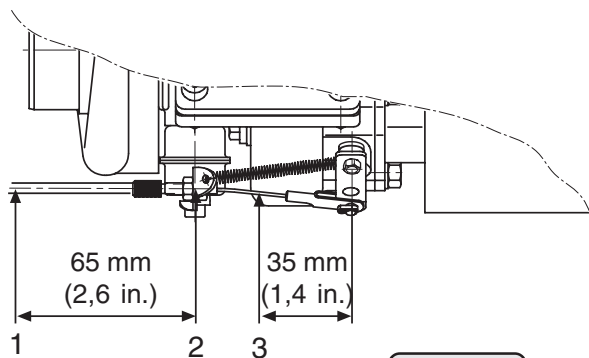


Fig. 68

02617

19) Electric system

See Fig. 69.

The engine is supplied with the wiring completed and ready to operate. Only the following connections to the aircraft have to be established.

◆ **NOTE:** Throughout this documentation as name for the "electrical load pressure control" TCU stands for **Turbo Control Unit**.

- integrated generator
- external rectifier-regulator
- electronic modules
- electric starter
- start relay
- 2 electric fuel pumps
- TCU
- isolating switch for servo motor
- 2 lamps (boost- and warning lamp)
- items conditional for operation like circuit breakers, ON-OFF switches, control lamps, relays, instrumentation and capacitors

Optional extras

- external alternator (as option if the output of the integrated generator is inadequate)
- electric tachometer (accessory)
- appliance (battery) not supplied by BRP-Rotax

19.1) Requirements on circuit wiring

- CAUTION: The connections have to be completed by the aircraft manufacturer in accordance to effective certification and wiring diagram (Fig. 69). The electromagnetic compatibility (EMC) and electromagnetic interference (EMI) is greatly affected by the wiring and has to be checked for each installation. Refer to section 19.1.1.
- ▲ WARNING: The supply to the various consumers (e.g. battery) has to be protected adequately by fuses (consult wiring diagram). Using fuses too large may result in damage to electric equipment.
Under no circumstances route consumers cables (e.g. battery) side by side with ignition cable. Induction could cause problems.
- CAUTION: An excess-voltage protection has to be realized by the aircraft manufacturer in accordance to effective regulations.
- ▲ WARNING: The certification to the latest requirements such as FAR or EASA has to be conducted by the aircraft manufacturer.
- ▲ WARNING: Do not bend, kink, pinch or otherwise improperly stress the wiring harness. Use proper routing, clamping and strain relief on wiring harnesses.

19.1.1) Electromagnetic compatibility (EMC)

The engine complies with the requirements of EMI and lightning protection as per standard RT CA DO-160C, sections 18, 20-22 and IEC 801-2.

The following EMC/EMI tests were performed:

- Radio frequency Susceptibility (conducted)
- Radio frequency Susceptibility (radiated)
- Audio Frequency Susceptibility
- Lightning Susceptibility
- Conducted RF Interference
- Radiated RF Interference

19.2) Wiring diagram

(See Fig. 69)

Legend to wiring diagram (Fig. 69)

Items 1-20, 52-54 are included in the standard volume of supply of the engine

Items 21-25 are available as accessory

Items 30-51 can't be supplied by BRP-Rotax

▲ **WARNING:** The certification of items/components which are not included in the standard volume of supply of engine has to be conducted by the aircraft manufacturer to the latest requirements such as FAR or EASA.

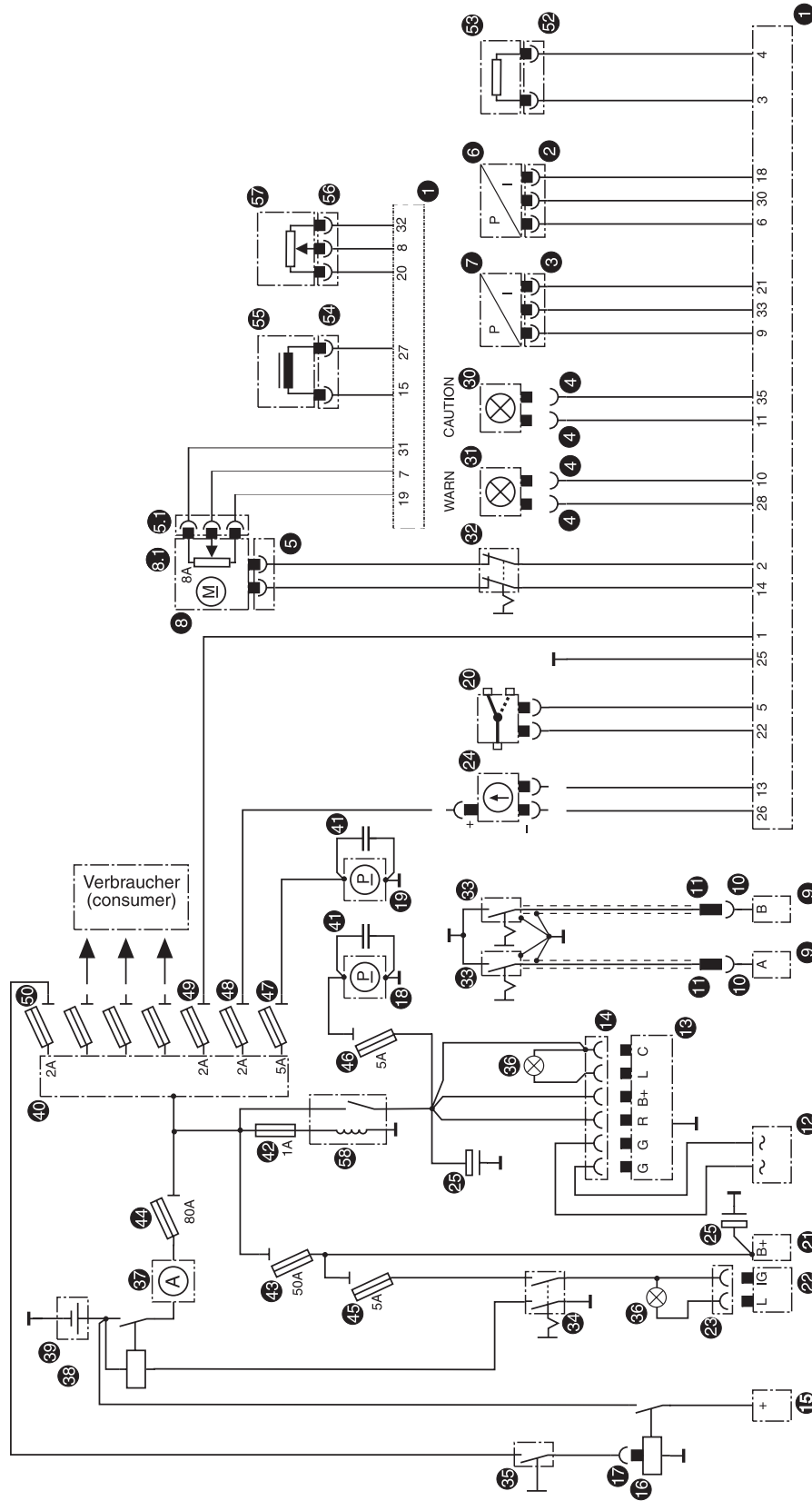
- 1 36 pole plug receptacle
- 2-3 plug connection for pressure sensor
- 4 plug connection for lamps
- 5 plug connections for servo motor + **5.1** for potentiometer
- 6 pressure sensor (static pressure, atmospheric pressure)
- 7 pressure sensor (airbox - already wired in advance)
- 8 servo motor + **8.1** potentiometer
- 9 2 electronic modules (A and B)
- 10-11 plug connection for ignition switch
- 12 integrated generator
- 13-14 external regulator - rectifier with plug connections
- 15 electric starter
- 16-17 starter relay with plug connection
- 18-19 electric fuel pumps
- 20 3-way solenoid valve (float valve pressure - already wired in advance)
- 21-23 external alternator with connections
- 24 electric rev-counter
- 25 capacitor
- 30-31 lamps
- 32 isolating switch for servo motor
- 33 2 ignition switches
- 34 master switch
- 35 starter switch
- 36 control lamp
- 37 amperemeter
- 38 battery relay
- 39 battery
- 40 bus bar
- 41 capacitor
- 42-51 circuit breaker
- 52 plug connection for airbox temperature sensor
- 53 airbox temperature sensor (already wired in advance)
- 54 plug connection for trigger coil assy.
- 55 trigger coil assy. (speed)
- 56 plug connection for throttle positioning sensor
- 57 throttle positioning sensor (already wired in advance)
- 58 relay

BRP-Rotax

INSTALLATION MANUAL

Fig. 69

08317



Wiring symbols to DIN 40712, 40713, 40716 and 40719.

d04282

19.3) Description of the Turbo Control Unit (TCU)

See latest Operators Manual 914 Series, section 9.5.

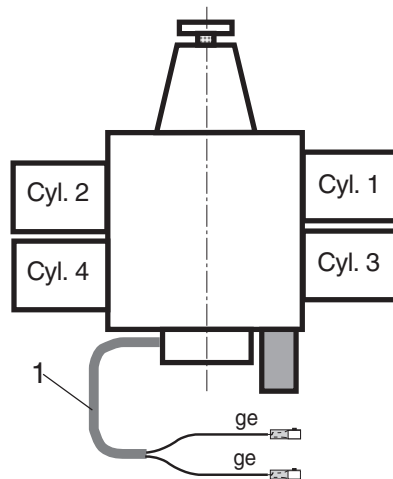
19.4) Technical data and connection of the electric components**19.4.1) Integrated generator**

See Fig. 70

Feeding wires (1) from the generator to rectifier-regulator on left side of ignition housing (see Fig. 70).

- 2 flexible cables, 1,5 mm² yellow (in shielding metal braid)
- length approx. 660 mm (26 in.) starting from ignition housing
- with on each plug socket 6,3 x 0,8 to DIN 46247

◆ NOTE: approx. 250W AC output at 5800 (r.p.m.)
For DC output in connection with rectifier-regulator.
See section 19.4.2.

**Fig. 70**

02498

BRP-Rotax

INSTALLATION MANUAL

19.4.2) Rectifier-regulator

See Fig. 71/72.

- type: electronic full-wave rectifier regulator
- effective voltage: $14 \pm 0,3 \text{ V}$ (from $1000 \pm 250 \text{ r.p.m.}$)
- current limit: max. 22 A
- max. permissible component temperature: $+80 \text{ }^\circ\text{C}$ ($176 \text{ }^\circ\text{F}$) (measured in area (1))
- weight: $0,3 \text{ kg}$ (.66 lb)

◆ NOTE: The performance specifications are given for optimal cooled components. If necessary, use a separate heat sink for the rectifier regulator.

Description of connections:

- G = yellow - from generator
- R = red - to battery, positive terminal
- +B = battery positive terminal
- L = warning lamp circuit
- C = control or field circuit

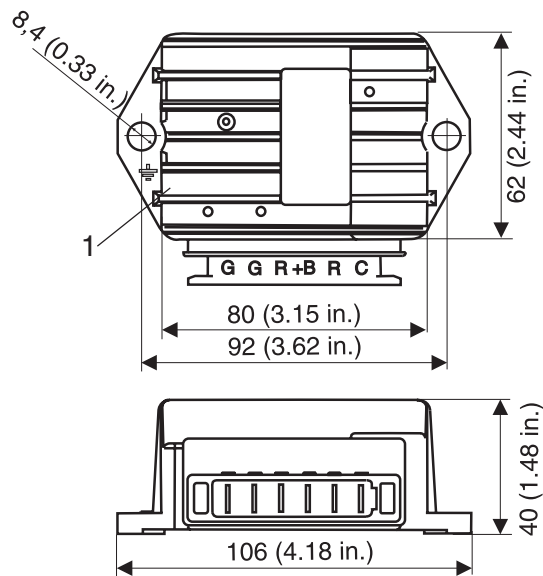


Fig. 71
09168

Requirements for flawless operation of the rectifier-regulator

- body of regulator must be grounded with no resistance allowed
- the rectifier-regulator has to be protected by a slow blowing 25A fuse.
- wire size of the main circuit of at least 2,5 mm² (14 AWG)
- a capacitor (Fig. 69 Pos. (25)) of at least 22 000 µF / 25 V is necessary to protect the correct function of regulator and to flatten voltage. The regulator is not designed to store any electrical charge. If for any reason the battery or bus system is disconnected from the regulator while the engine is running (i.e. the master switch is shut off) the capacitor will safely absorb and dissipate the electrical charge produced by the generator. Otherwise the regulator would be damaged.

■ CAUTION: The voltage difference between battery and terminal **C** of regulator should be less than 0,2 V.
Use cables in this area as short as possible and with adequate cross section.

■ CAUTION: Never sever connection between terminal **C** and **+B** of regulator (e.g. by removal of a fuse) while the engine is running. Overvoltage and regulator damage can occur.
During engine stop break circuit between battery and terminal C to avoid discharge of battery! (see Fig. 69)

◆ NOTE: A charge-indicating lamp 3W/12V (Fig. 69, pos. (36) may be fitted on the instrument panel.

Current:

■ CAUTION: The graph current over engine speed has been determined and is valid only at the following conditions.
ambient temperature: 20 °C (68 °F)
voltage: permanent 13,5 V
tolerance: max ± 5%

BRP-Rotax

INSTALLATION MANUAL

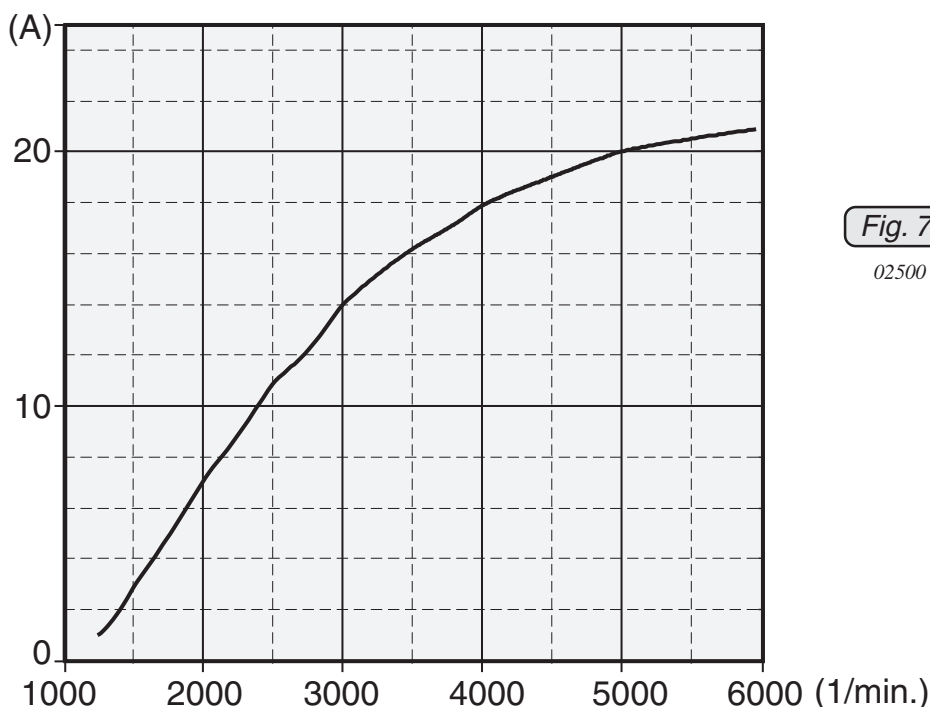


Fig. 72

02500

19.4.3) Electronic modules

See Fig. 4 Pos. 25 and Fig.73

Ambient temp. for the electronic modules (1): max. 80 °C (176 °F).

19.4.4) Ignition switches (on-off switch)

See Fig. 73 and 75.

- type: two separate, suitable on-off switches (Fig. 69, pos. (33))
- switching voltage: min. 250 V
- switching current: min. 0,5 A

Wires from the ignition switches connect to the electronic module (see Fig. 73)

- one each flexible wire 0,75 mm² (18 AMG) brown, length approx. 35 mm (1 3/8") beginning at electronic module with one each plug socket and insulating sleeve 3,96 mm. At the new version the cable grommet and fasten connector are integrated in the 6-pole connector housing. See also SI-914-016, latest issue.

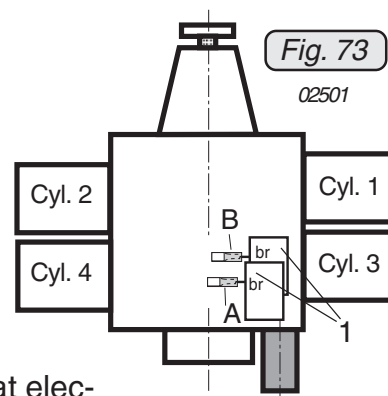


Fig. 73

02501

BRP-Rotax

INSTALLATION MANUAL

◆ NOTE: One each cable grommet (2) and flat pin terminal (3) are supplied loosely packed.

For correct assembly of the flat pin terminal strip the wire (4) and install the cable grommet in correct position and direction. Fix the flat pin terminal and the cable grommet with appropriate crimping pliers. The rubber grommet is held by the secondary crimp. Fit the flat pin terminal in the free position of the 6-pole connector housing until it is locked in place. Check for tight fit.

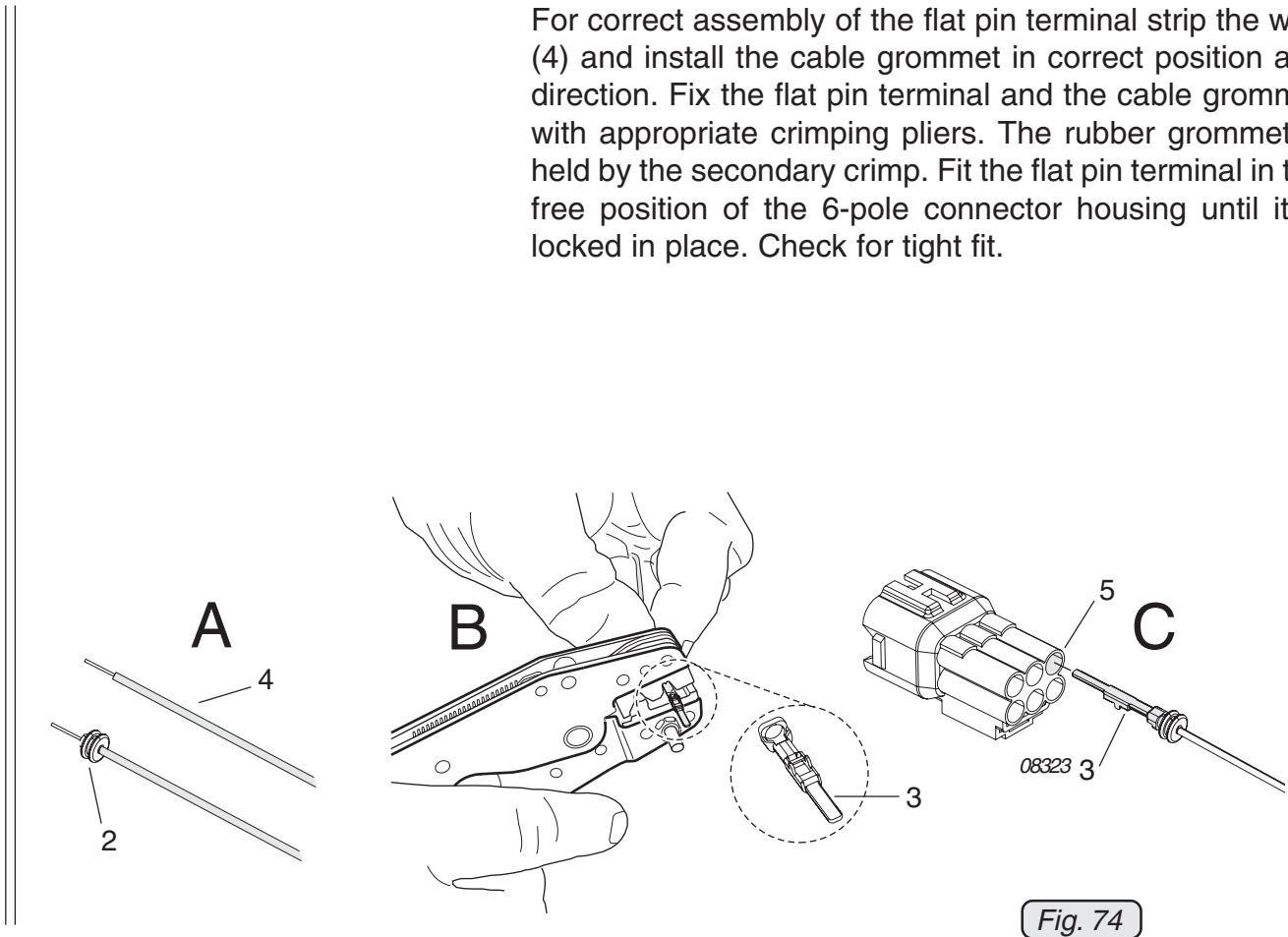


Fig. 74

◆ NOTE: Faston connector and insulation sheath of the old version are available as spare part. See also SI-914-016, latest issue.

BRP-Rotax

INSTALLATION MANUAL

- Wire of top electronic module (marked "A") for ignition circuit A.
 - Wire of bottom electronic module (marked "B") for ignition circuit B.
- ◆ NOTE: Ignition circuit A controls: top spark plugs of cylinder 1 and 2; lower spark plugs of cylinder 3 and 4.

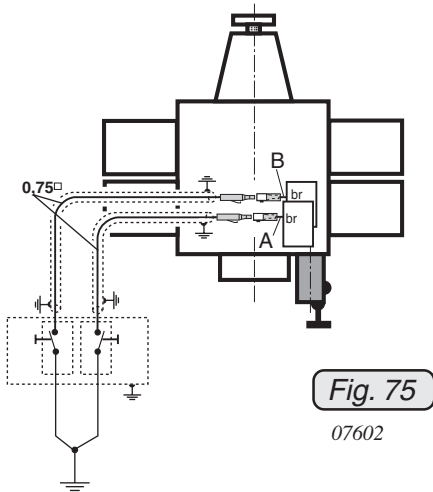
Ignition circuit B controls: top spark plugs of cylinder 3 and 4; lower spark plugs of cylinder 1 and 2.

- CAUTION: The electromagnetic compatibility (EMC) and electromagnetic interference (EMI) depends essentially on the wire used. See Fig. 75.

Min. section area: $2 \times 0,75 \text{ mm}^2$ (18 AWG) (shielded flexible cable, shielding braid (low-resistance) on both ends grounded to prevent EMI (e.g. specification MIL-27500/18).

No or insufficient shielded cables can cause engine shut-off due to electromagnetic and radio interference.

The metal base of each ignition switch must be grounded to aircraft frame to prevent EMI.



19.4.5) Electric starter

See Fig. 76.

Wire from starter relay to the electric starter

- cross section of at least 16 mm^2 (6 AWG)
- output: 0,7 kW / 0,9 kW optional
- positive terminal (1): M6 screw (tightening torque 4 Nm (35 in.lb)) suitable for ring terminal to DIN 46225 (MIL-T-7928); PDIG or equivalent
- grounding: via engine block

■ CAUTION: Suitable for short starting periods only.

■ CAUTION: Max. 80 °C (176 °F) temperature range by the electric starter housing. Activate starter for max. 10 sec. (without interruption), followed by a cooling period of 2 min!

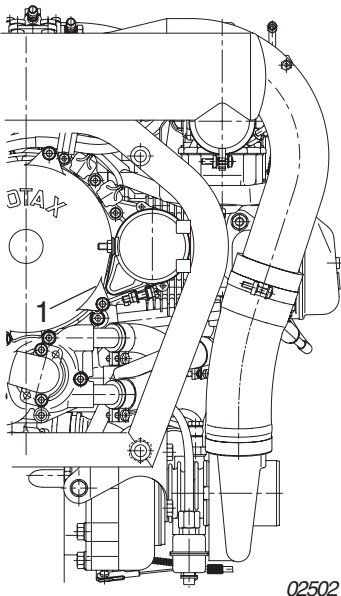


Fig.76

BRP-Rotax

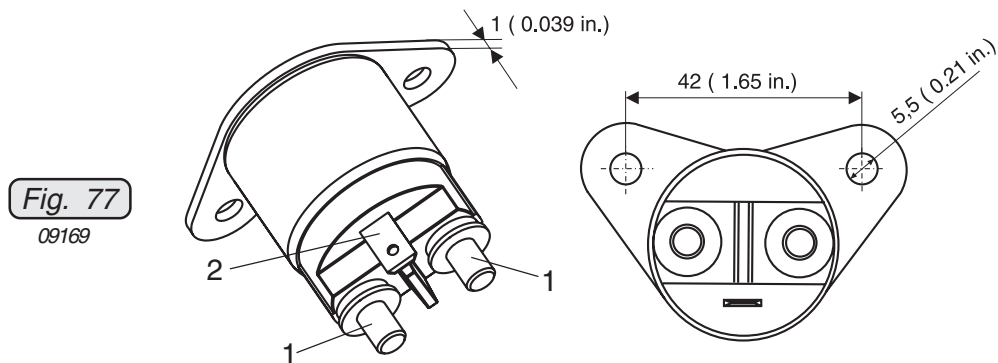
INSTALLATION MANUAL

19.4.6) Starter relay

See Fig. 77.

- nominal voltage: 12 V
- control voltage: min. 6 V
max. 18 V
- switching current: max. 75 A (permanent)
max. 300 A (for 1 sec.)
- ambient temperature range:
min. - 40 °C (-40 °F)
max. +100 °C (214 °F)
- weight: see section 8.
- current connections (1):
M6 screw (tightening torque 4 Nm (35 in.lb)) suitable for ring terminals to DIN 46225 (MIL-T-7928, PIDG or equivalent)
- control wiring (2):
plug connector 6,3x0,8 suitable for spade connector to DIN 46247 (MIL-T-7928, PIDG or equivalent)
- grounding: via housing

■ CAUTION: Activation of start relay limited to short duration. Over a period of 4 min. operation, the duty cycle is 25%.



BRP-Rotax

INSTALLATION MANUAL

19.4.7) Electric fuel pumps

See Fig. 78/79.

- installation: see fuel system, section 14
- voltage: 12 V/DC
- connections: + terminal: M 4 screw connection
- terminal: M 5 screw connection

suitable for ring terminals to DIN 46225

For radio interference suppression a capacitor (Fig. 69 Pos. (41)) of $1\mu\text{F}$ / 100 V has to fitted as near as possible to the terminals.

▲ **WARNING:** The certification to the latest requirements such as FAR or EASA has to be conducted by the aircraft manufacturer.

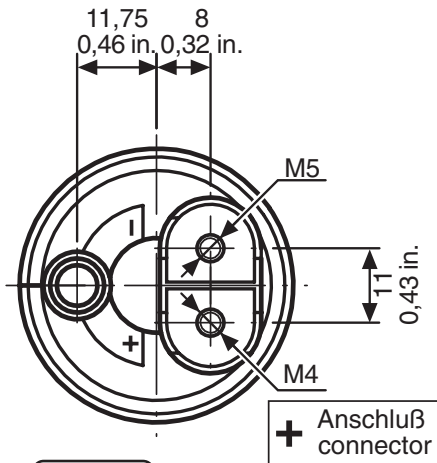


Fig. 78

05120

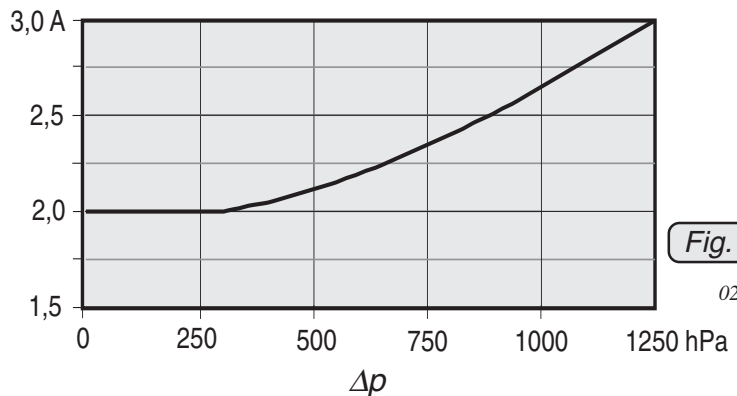


Fig. 79

02505

- current input:

The current input per fuel pumps

by one fuel pump ~ 1,7 A

by two fuel pumps (Series) ~ 1,5 A

The diagram shows the current input over pressure.

Take note of the following:

- The diagram outlines minimum capacity at nominal voltage on pump.
- Pressure- and suction head are "ZERO".
- Graph is effective on a seasoned pump only, running-in period approx. 30 min.
- Fuse:
Each of the two fuel pumps has to be protected by y slow blowing 5A fuse in accordance with wiring diagram (Fig. 69).

- ▲ **WARNING:** All connections have to be established by the aircraft manufacturer in compliance with regulations such as FAR or EASA and the effective wiring diagram (Fig. 69).
- ▲ **WARNING:** An essential point is according to regulations, that the fuel pumps are connected on two completely independent power supplies.

19.4.8) Turbo Control Unit (TCU)

See Fig. 80.

- voltage: 12 V/DC min. 6 V
max. 18 V
- current input: see section 19.5.

- ◆ **NOTE:** At wrong polarity of the supply voltage both lamps will light up.
- operating temperature range: min. - 25 °C (-13 °F)
max. +70 °C (+160 °F)
- storage temperature range: min. - 40 °C (-40 °F)
max. +70 °C (+160 °F)
- weight: approx. 425 g (1 lb)
- dimensions and attachment: see sketch (Fig. 80)
- place of installation:

- ▲ **WARNING:** **Installation in the engine compartment is not permitted since the TCU is not of a fire resistant construction.**

A recommendable location is in the cockpit, below the instrument panel.

The TCU has to be in an area where it is protected against moisture.

- ◆ **NOTE:** Place of installation is limited by the length of the wiring harness.

Support of the TCU on the 4 rubber shock mounts which ensures an attachment free of vibrations.

- ▲ **WARNING:** If the standard attachment should not be utilized or changed, certification to the latest requirements such as FAR or EASA has to be conducted by the aircraft manufacturer

BRP-Rotax

INSTALLATION MANUAL

▲ **WARNING:** Choose place of installation such, that operation is within the specified temperature limits.

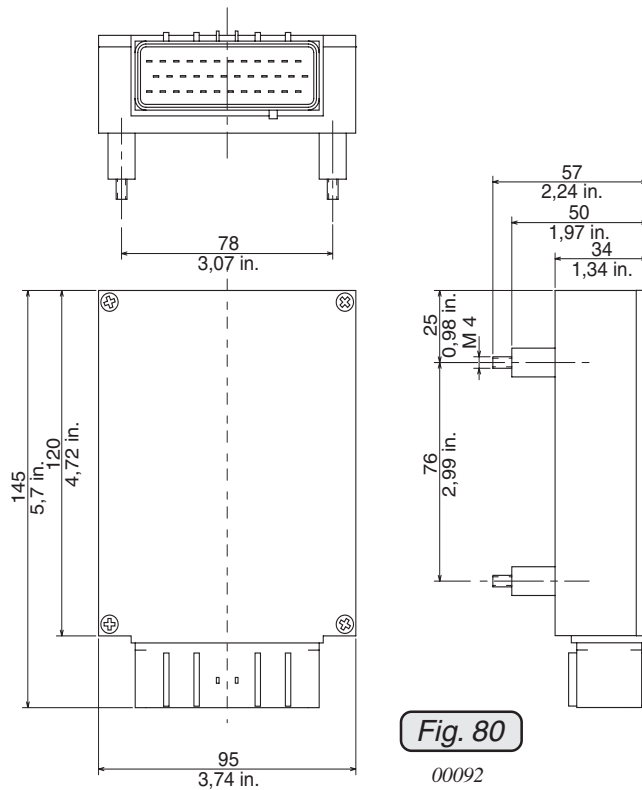
▲ **WARNING:** The TCU comprises electronic components and is therefore completely sealed. **The TCU is allowed to be opened only by persons authorized by BRP-Rotax!**

- connections:
 - + terminal: flexible cable 0,75 mm² (18 AWG) white No. 1*
 - terminal: flexible cable 0,75 mm² (18 AWG) white No. 25*

* from the 36 pole plug receptacle of the TCU with ring terminal 4,2 mm dia. to DIN 46225

- fuse:

The TCU has to be protected by a slow blowing 2A fuse in accordance with the wiring diagram, Fig. 69.



19.4.9) Isolating switch for servo motor

See Fig. 69.

The isolating switch serves to break the circuit of the servo motor for a short time in case of surging of the TCU.

After a short hunting stable operation should follow.

- design: 2 pole on-off switch (Fig. 69 Pos. (32))

■ **CAUTION:** The isolating switch has to be designed such that it is guarded against being turned "off" by mistake or unintentionally. The fixed and secured position is "**ON**".

- switching voltage: min. 100 V

- switching current: min. 2 A

- place of installation:

On the instrument panel in the pilot's field of view, anytime and easy to reach.

Installation instruction:

The isolating switch has to be installed directly into the lines from 36 pole plug receptacle to servo motor.

■ **CAUTION:** The servo motor is connected to DC supply. The polarity (wire 2 and 14) of the cables must not be changed, otherwise the sense of rotation would be reversed and control would be rendered ineffective.

To avoid any mix-up of the polarity cut first one wire and connect on switch as per wiring diagram (Fig. 69).

After first wire is connected sever **second** wire and connect also to switch.

19.4.10) Boost lamp

See Fig. 69.

- colour of lamp: **red** or colour as per effective regulations.
 - voltage: 12 V(DC)
depending on input voltage of TCU.
 - current: max. 0,5 A
 - connections:
 - + terminal: flexible wire 0,75 mm² (18 AWG) white No. 10*
 - terminal: flexible wire 0,75 mm² (18 AWG) white No. 28*
- * from the 36 pole plug receptacle of the TCU, plug 6,3 x 0,8 to DIN 46247
- length approx. 600 mm (24 in) from TCU
- **CAUTION:** Do not connect the - (neg.) terminal to ground or the + (pos.) terminal to bus (12 volt), each wire must be connected directly to the lamp. Use a two wire lamp; do not use a lamp that grounds through the base as this will defeat the warning system.

19.4.11) Caution lamp

See Fig. 69.

- Colour of lamp: **orange** or colour as per effective regulations.
 - Voltage: 12 V(DC)
depending on input voltage of the TCU
 - current: max. 0,5 A
 - connections:
 - + terminal: flexible wire 0,75 mm² (18 AWG) white No. 35*
 - terminal: flexible wire 0,75 mm² (18 AWG) white No. 11*
- * from the 36 pole plug receptacle of the TCU, plug 6,3 x 0,8 to DIN 46247
- length approx. 600 mm (24 in) from TCU
- **CAUTION:** Do not connect the - (neg.) terminal to ground or the + (pos.) terminal to bus (12 volt), each wire must be connected directly to the lamp. Use a two wire lamp; do not use a lamp that grounds through the base as this will defeat the warning system.

19.4.12) External alternator (optional extra)

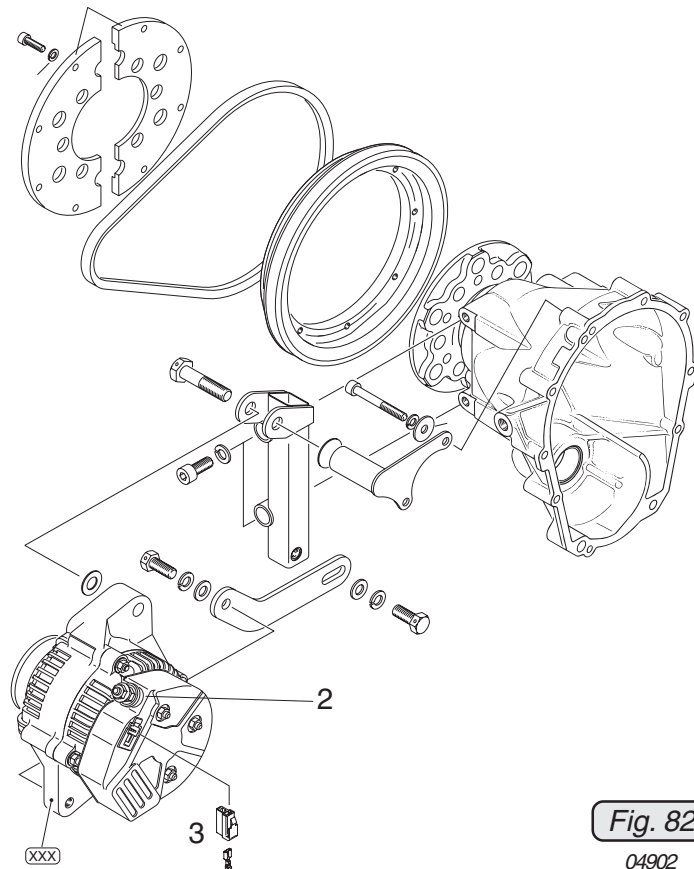
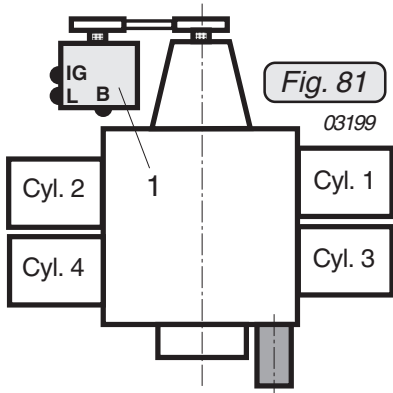
See Fig. 81/82/83.

- output: max. 600 W DC at 6000 r.p.m.
- voltage: 14,2 V – 14,8 V
- ambient temperature range: min. - 30 °C (-22 °F)
max. +90 °C (194 °F)

◆ **NOTE:** Voltage regulator is integrated in the alternator.

Feeding wiring to external alternator (1) located on the outside of propeller gear (see Fig. 81).

- plus terminal (2): M6 screw suitable for ring terminal to DIN 46225 (tightening torque 4 Nm (35 in.lb))
- grounding: via engine block mount bracket
- control wiring (field circuit) (3) and warning lamp circuit (4): via supplied standard plug (Sumitomo 6111-2568)



d04282

BRP-Rotax

INSTALLATION MANUAL

Requirements for correct operation of the integrated rectifier-regulator:

- the rectifier-regulator has to be protected by a slow blowing 50A fuse or a circuit breaker. Fuse or circuit breaker rating must be determined by load, wire size and length.
- cross section of the main circuit at least 4 mm² (10 AWG)
- a capacitor (Fig. 69 Pos. (25)) of at least 22 000 µF / 25 V is necessary
- current:

■ **CAUTION:** The current over speed graph has been determined and is effective only at the following conditions:

ambient temperature: 20 °C (68 °F)

voltage: permanent 13,5 V

tolerance: ± 5%

◆ **NOTE:** The speed of the auxiliary generator is 1,24 times crankshaft speed or 3 times the prop speed.

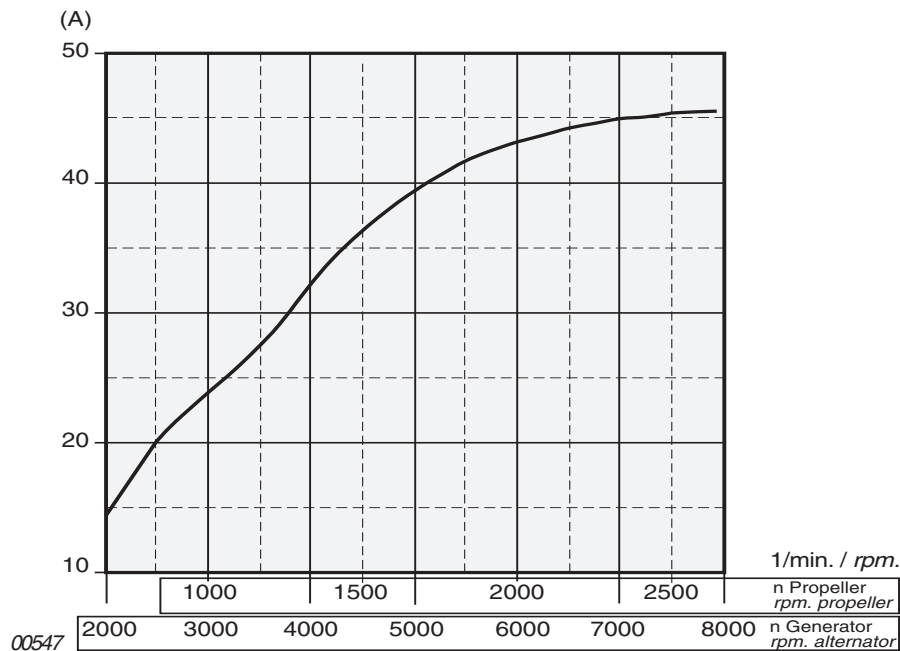


Fig. 83

BRP-Rotax

INSTALLATION MANUAL

19.4.13) Connection of the electric rev-counter (tachometer)

See Fig. 69/84.

Feeding wiring to electric rev counter from the 36 pole receptacle of TCU.

- connections: flexible wire 0,75 mm² (18 AWG) white No. 26*
flexible wire 0,75 mm² (18 AWG) white No. 13*

* from the 36 plug receptacle of TCU without plug connection

- length approx. 1000 mm (40 in) from TCU.

◆ **NOTE:** BRP-Rotax developed especially for this application a non-certified electric rev counter. Certification to the latest requirements such as FAR or EASA has to be conducted by the aircraft manufacturer. See also SI-13-1996, latest issue.

■ **CAUTION:** The graphs depicting output signals have been determined and are effective only at the following conditions.

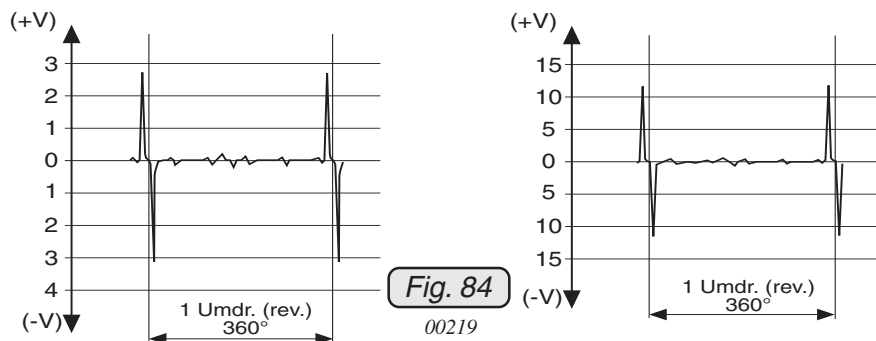
Ambient temperature: 20 °C (68 °F)

Tolerance: ± 5%

The pick-up for the rev counter generates one pulse per revolution. Pulse shape and pulse voltage as per recordings (oscillogram).

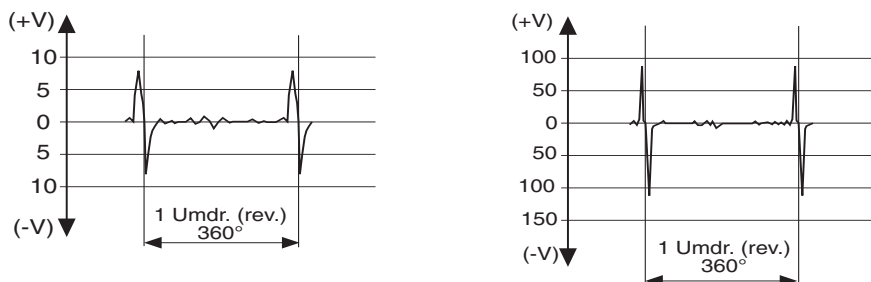
speed 500 rpm (load 100 Ω)

speed 500 rpm (load 100 kΩ)



speed 6000 rpm (load 100 Ω)

speed 6000 rpm (load 100 kΩ)



19.4.14) Battery

See Fig. 69.

■ **CAUTION:** To warrant reliable engine start use a battery of at least 16 Ah capacity (depending on the type and specification we recommend 18 Ah).

19.4.15) Relay

See Fig. 69.

19.5) Internal consumer of electric power

▲ **WARNING:** The power consumption of extra loads has to be limited to the extent that the internal need of power (fuel pumps, TCU, servo etc.) is always covered.

Refer to graph (current output over speed) of the integrated generator and the external alternator.

item	current consumption	
fuel pump (main)	max.	3 A
fuel pump (stand by)	max.	3 A
TCU ⁽¹⁾	max.	0,3 A
servo motor	max.	1 A
warning lamp ⁽²⁾	approx.	0,25 A
caution lamp ⁽²⁾	approx.	0,25 A
sum ⁽³⁾		~ 8 A

⁽¹⁾ internal power consumption, without servo motor and lamps

⁽²⁾ standard value, actual value up to aircraft manufacturer

⁽³⁾ without electric starter and start relay

A complete electrical load analysis covering all installed loads must be calculated by the aircraft manufacturer.

20) Propeller drive

The propeller in tractor or pusher arrangement has to be fitted on the propeller flange in accordance to current certification. As required utilize one of the three possible pitch circle diameters (P.C.D.) on the flange.

Certification of the propeller sizing and arrangement to the latest requirement such as FAR or EASA has to be conducted by the aircraft manufacturer.

▲ **WARNING:** Never run the engine without a propeller installed as engine would suffer severe damage by overspeeding.

Never fit propeller directly on crankshaft.

20.1) Technical data

See Fig. 85.

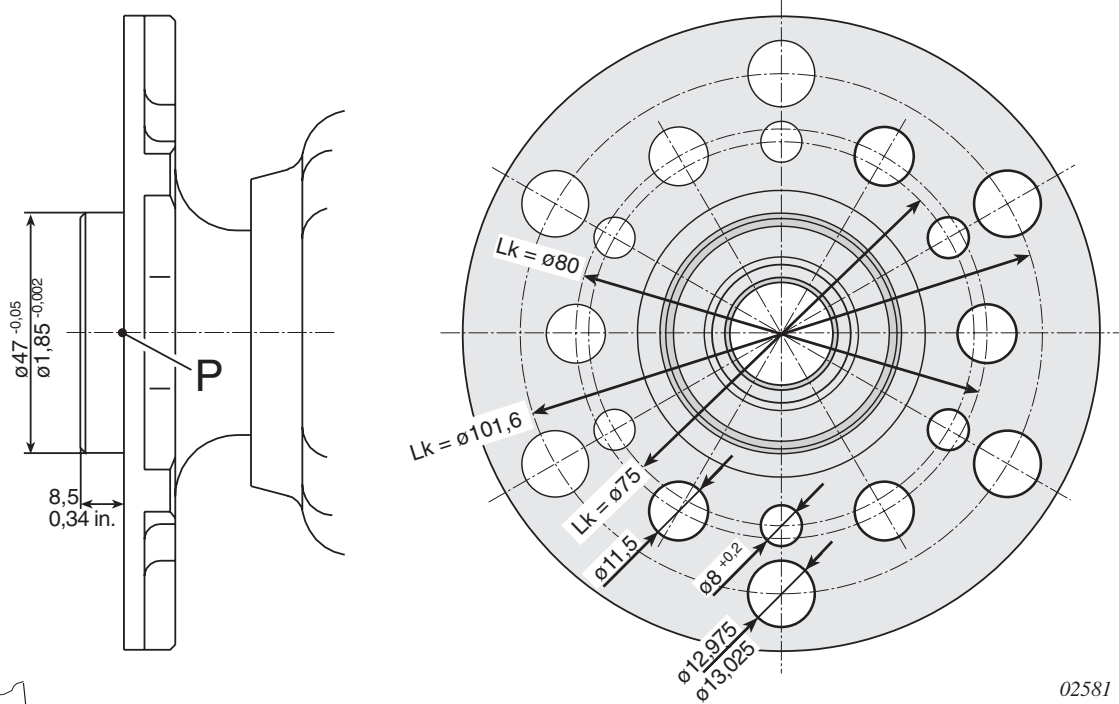
- direction of rotation of the prop flange: counter clockwise, looking towards face of flange
- location: see system of coordinates
- attachment of propeller on prop shaft flange:
 - P.C.D 75 mm (2,95"): 6 bolt holes of 8 mm (.32 in.) dia
 - P.C.D 80 mm (3,15"): 6 bolt holes of 11,5 mm (.45 in.) dia
 - P.C.D 101,6 mm (4"): 6 bolt holes of 13 mm (.51 in.) dia.
- || hub diameter: 47 mm (1.85 in.)
- ratio of gear reduction: 2,4286 (51 T/21 T)
- max. torque: 340 Nm (250 ft.lb.) at propeller
- max. moment of inertia : 6000 kgcm² (14.238 lb.ft.²)
- max. permitted static out-of-balance on a prop: max. 0,5 gm (.043 lb.in.)
- max. extension of the propeller shaft: 120 mm (4.72 in.)

|| ■ **CAUTION:** No modification of propeller shaft is permitted.

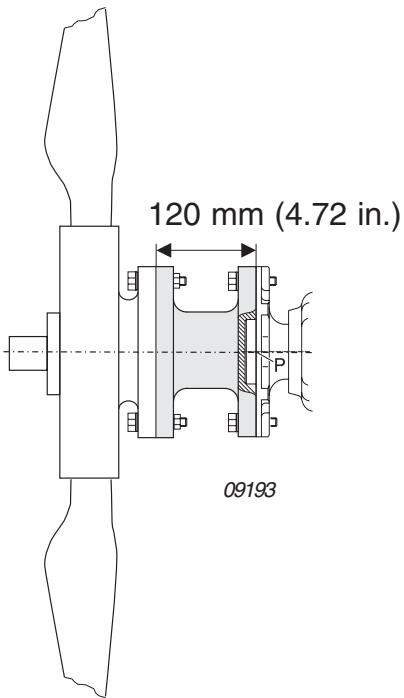
BRP-Rotax

INSTALLATION MANUAL

- ◆ **NOTE:** In the course of certification a vibration analysis of the whole system (engine, suspension, propeller etc.) should be done.
If there are no limits found in the technical literature, a max. of 0,1 IPS (inches per second) at 5000 rpm. can be assumed.



02581



09193

Fig. 85
02581

d04283

21) Vacuum pump

21.1) Technical data

See Fig. 86 and 87

- drive via propeller gear
- location of the necessary connection (1) on the crankcase:

connection	coordinates		
	x axis mm	y axis mm	z axis mm
	-206,3	0	51,5

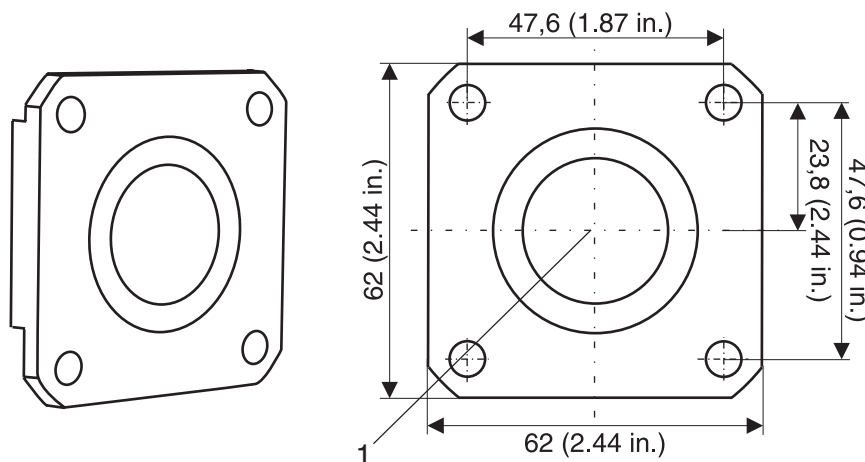
09191

- connections
 - thread size: M6
 - Effective thread length: max. 17 mm (9/16")
 - toothing: internal spline 20/40 SMS 1834 NA 14x1.27x30x12
- power input: max. 600 W

■ CAUTION: Pay attention to manufacturer's specifications

◆ NOTE: Speed reduction from crankshaft to vacuum pump is 1,842, i.e. the vacuum pump runs with 0,54 of engine speed.

▲ WARNING: Certification to the latest requirements such as FAR or EASA has to be conducted by the aircraft manufacturer.



08322

Fig. 86

BRP-Rotax
INSTALLATION MANUAL

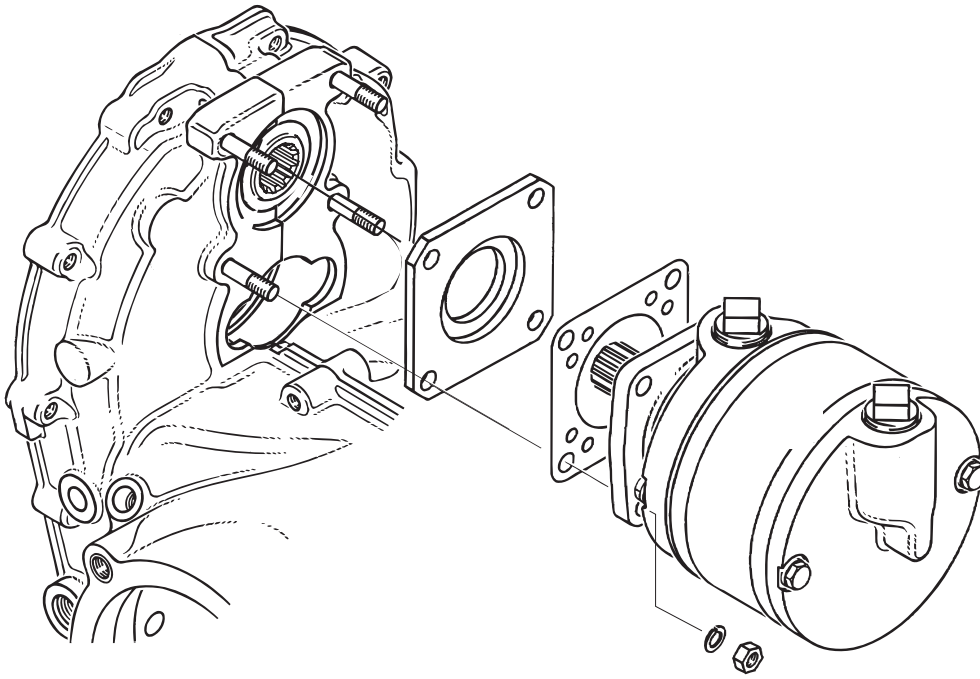


Fig. 87

08328

22) Hydraulic governor for constant speed propeller

22.1) Technical data

See Fig. 88

◆ **NOTE:** See therefore also SB-914-035 "Installation/Use of governors for Rotax engine type 912 and 914", latest issue.

- drive via prop gear
- location of the necessary connection on the crankcase:

connection	coordinates		
	x axis mm	y axis mm	z axis mm
	-206,3	0	51,5

09191

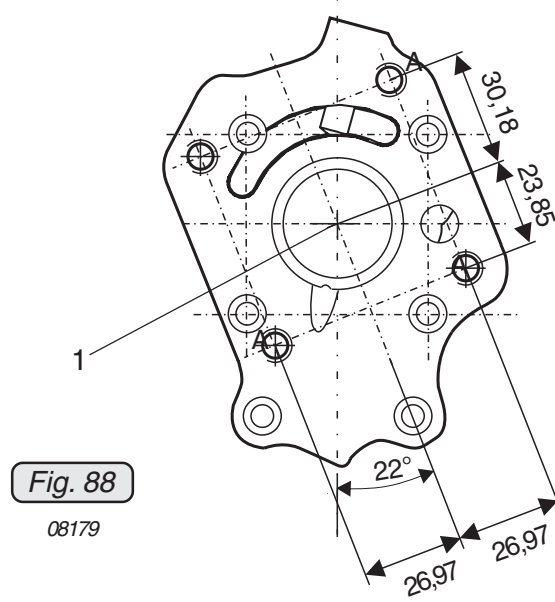
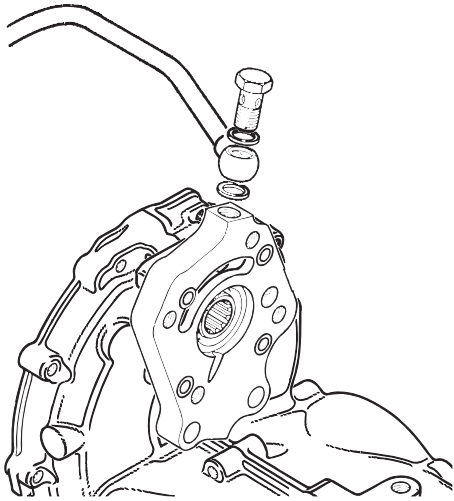
- connections
 - mounting pad: AND20010
 - thread size: M8
 - Effective thread length: max. 14 mm (0.55 in.)
 - toothing: internal spline 20/40 SMS 1834 NA 14x1.27x30x12
 - direction of rotation of governor drive: clockwise, looking at mounting pad
- power input: max. 600 W
- operating pressure: max. 30 bar (435 psi.)

■ **CAUTION:** Pay attention to manufacturer's specifications.

◆ **NOTE:** Speed reduction from crankshaft to hydraulic governor is 1,842, thus the vacuum pump runs with 0,54 of engine speed.

BRP-Rotax

INSTALLATION MANUAL



23) Connections for instrumentation

These connections to be established in accordance to certification and/or national specifications.

The certification for connections and connection lines have to be conducted by the aircraft manufacturer to the latest requirements like FAR and EASA.

For notes regarding the electric rev counter consult the chapter 19.4.13.

23.1) Sensor for cylinder head temperature

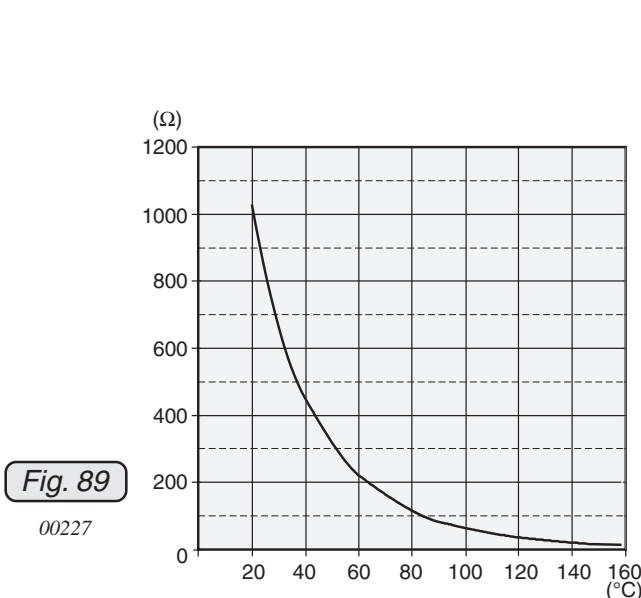
See Fig. 4, 89, and 90.

◆ **NOTE:** A direct reading of the coolant temperature is not provided for.

The temperature sensor (1) is directly fitted into cylinder head i.e. a direct temperature reading of the cylinder head material is taken. This allows the exact measuring of the cylinder head temperature even in the case of coolant loss.

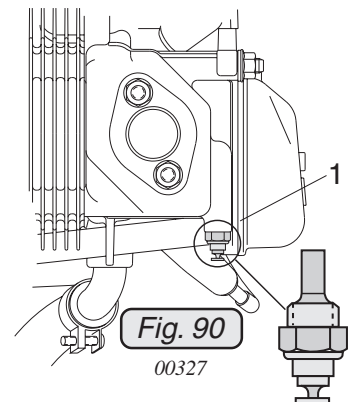
◆ **NOTE:** Readings are taken on the hottest cylinder, depending on engine installation.

- location: in the cylinder head of the cylinders 2 and 3, see Fig. 4.
- connection: spade terminal 6,3x0,8 to DIN 46247
- grounding: via engine block
- graph of sensor resistance over temperature



04868

Axes			
cylinder head	x axis mm	y axis mm	z axis mm
2	-200,0	241,0	-157,0
3	-387,0	-241,0	-157,0



■ **CAUTION:** The graph resistance over temperature has been determined, and is effective at the following conditions only.

ambient temperature: 20 °C (68 °F)

tolerance: ± 10%

23.2) Sensor for oil temperature

See Fig. 91/92

- location: oil pump housing
- marking (2): marked with "TO" (temperature oil) on oil pump flange

■ **CAUTION:** To avoid any mix-up with indication wiring, mark this particular cable also with "TO".

- position of the temperature sensor (1) on the oil pump flange:

point of support	Axes		
	x axis mm	y axis mm	z axis mm
	-115	46	-150

04869

- connection of sensor wiring: spade terminal 6,3 x 0,8 to DIN 46247
- grounding: via engine block
- graph of sensor resistance over temperature

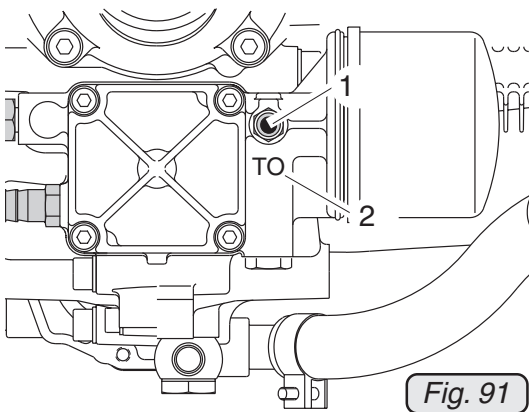
■ **CAUTION:** The graph resistance over temperature has been determined, and is effective at the following conditions only.

ambient temperature: 20 °C (68 °F)

tolerance: ± 15%

BRP-Rotax offers a non-certified temperature indicating instrument. Refer to Illustrated Parts Catalog, latest issue.

▲ **WARNING:** Certification to the latest requirements such as FAR of EASA has to be conducted by the aircraft manufacturer.



00226

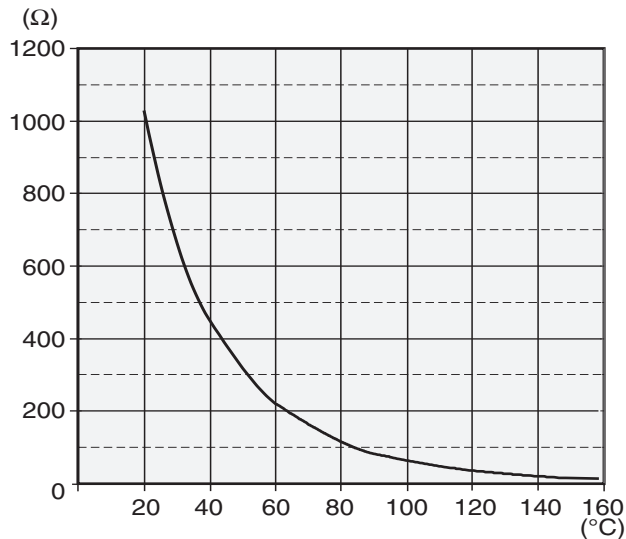


Fig. 92
00227

d04283

23.3) Oil pressure sensor

See Fig. 93/94.

- location: oil pump housing
- position of connection on oil pressure pick-up (1):

point of connectio	Axes		
	x axis mm	y axis mm	z axis mm
-	ca. -100	75	ca. -150

04870

- connection of pick-up wiring: single pole screw connection for ring terminal 3 to DIN 46225 (tightening torque, max. 1Nm (8,848 in lb)
- grounding: via engine block
- graph of resistance over pressure

■ **CAUTION:** The graph resistance over pressure has been determined, and is effective at the following conditions only.

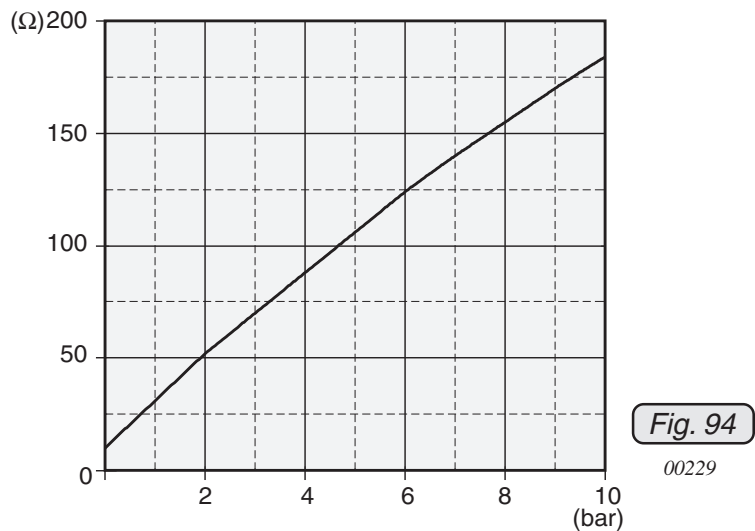
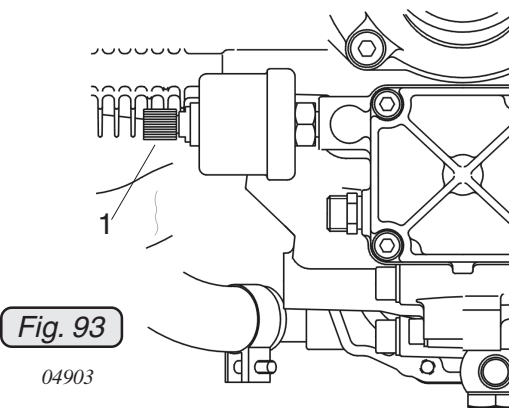
ambient temperature: 20 °C (68 °F)

voltage: 12 V

tolerance: ± 5%

BRP-Rotax offers a non-certified pressure gauge. Refer to Illustrated Parts Catalog, latest issue.

▲ **WARNING:** Certification to the latest requirements such as FAR of EASA has to be conducted by the aircraft manufacturer.

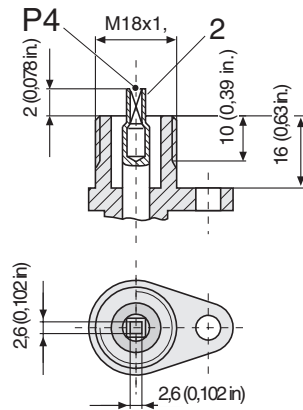


23.4) Mechanical rev-counter (tach drive)

See Fig. 95/96.

- location: ignition housing (1)
- direction of rotation of the rev-counter shaft (2): clockwise, see fig.
- position of rev-counter drive:

04871		Axes		
point of engagement	x axis mm	y axis mm	z axis mm	
P4	-465	87	-160	



05483

Fig. 95

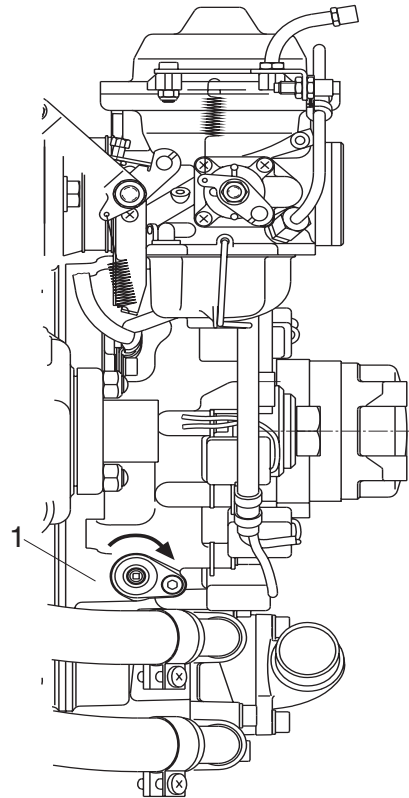


Fig. 96

00562

- installation dimensions: see Fig.
- reduction ratio: $i = 4$ i.e. 1/4 of engine speed

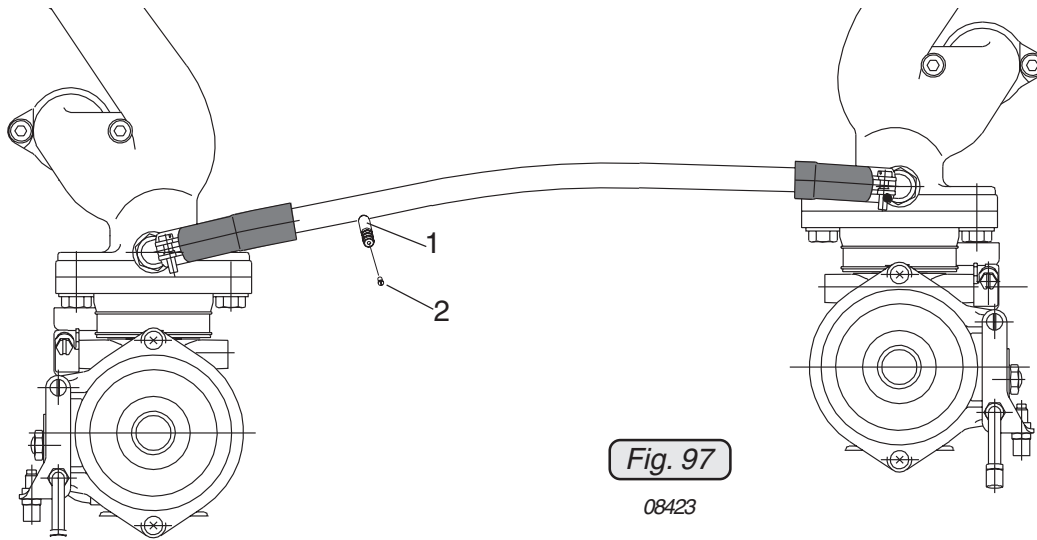
23.5) Monitoring of the intake manifold pressure

See Fig. 97.

Connection nipple (1) to measure manifold pressure:

outside dia. \varnothing 6 mm (1/4")
slip-on length max. 17 mm (11/16")

- CAUTION: Utilize the total slip-on length on all joints. Secure hose by suitable screw clamps or crimp connection.



- ▲ WARNING: The connecting nipple is sealed with a screw of type M3.5x6 (2). If this connecting nipple is needed the screw has to be removed.
- CAUTION: Flawless operation of the indicating instrument needs the installations of a water trap between engine and instrument for the fuel condensate.
- ◆ NOTE: For in-flight variable pitch propellers and constant speed propellers a manifold pressure gauge must be fitted permanently in the cockpit.

23.6) Air temperature in the airbox (optional)

See Fig. 98.

To take air temperature readings in the airbox a connection is provided. This connection is closed on the standard engine by a plug screw.

- connection: tapping 1/8-27 NPT
thread length approx. 9 mm (3/8")

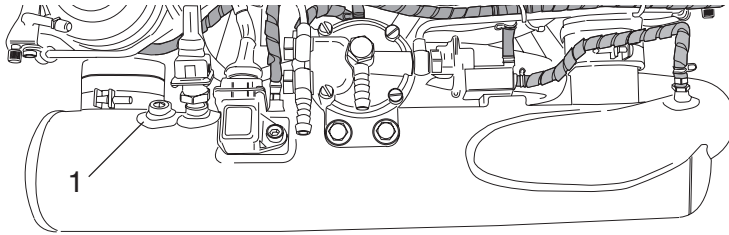


Fig. 98

05740

24) Preparations for trial run of engine

- ▲ **WARNING:** Prior to engine start and operation review all instructions stated in the Operators Manual.

Checks before trial run:

- ▲ **WARNING:** Always monitor the running engine from a safe place. Have the cockpit occupied by a competent person.
- ◆ **NOTE:** This checklist is not exhaustive. Consult all Instructions for Continuous Airworthiness.
 - Review Operators Manual.
 - Review relevant Service Instruction for "Selection of suitable operating fluids"
 - Check engine oil, coolant and fuel level.
 - Check throttle and choke controls hit both stops and operates in correct range of motion.
 - Make sure that no tools remain in the engine compartment
 - Check for other foreign or loose objects
 - Check for tight fit of propeller and pitch setting.
 - Check for propeller control hits stops and operates on correct range of motion (if equipped).
 - Fasten the aircraft to the ground in an appropriate way and use chocks for the wheels. Secure the area surrounding the propeller to exclude hazards to other persons.
 - Visual inspection of engine and accessories
 - Check for leaks.
 - Turn on fuel pumps and check entire system for leaks.
 - Check suspension of engine
 - Check for a tight fit of oil filter
 - Check oil hose connections are correct.
 - Check for correct oil system purging.
 - Check if other systems and instruments are installed appropriately
 - Check gauges for accuracy
 - Check wires routed properly and secured.
 - Check "P" leads are grounding when switched "OFF" (check with Ohmmeter)

BRP-Rotax

INSTALLATION MANUAL

- Check exhaust system for security and free of blockage
- Preheat engine in cold weather.

Conduct test run:

See Operators Manual 914 section 10.3

Verification of the throttle lever detent for max. continuous power:

Performance check in accordance with Operator's Manual.

If nominal performance won't be reached or is in excess of, examination of the installation and engine will be necessary. Consult Maintenance Manual 914.

■ CAUTION: Don't conduct any test flights before all faults have been traced and found.

- Make an entry of the details and test results into the engine log book.



Motornummer / Engine serial no.

Flugzeugtype / Type of aircraft

Flugzeugkennzeichen / Aircraft registration no.

ROTAX[®] Vertriebspartner

ROTAX[®] authorized distributor



CALIFORNIA POWER SYSTEMS

EXPERTS IN LIGHTSPORT AVIATION

www.cps-parts.com
800-247-9653

www.rotax-aircraft-engines.com